

PRINCIPAL PARTICULARS

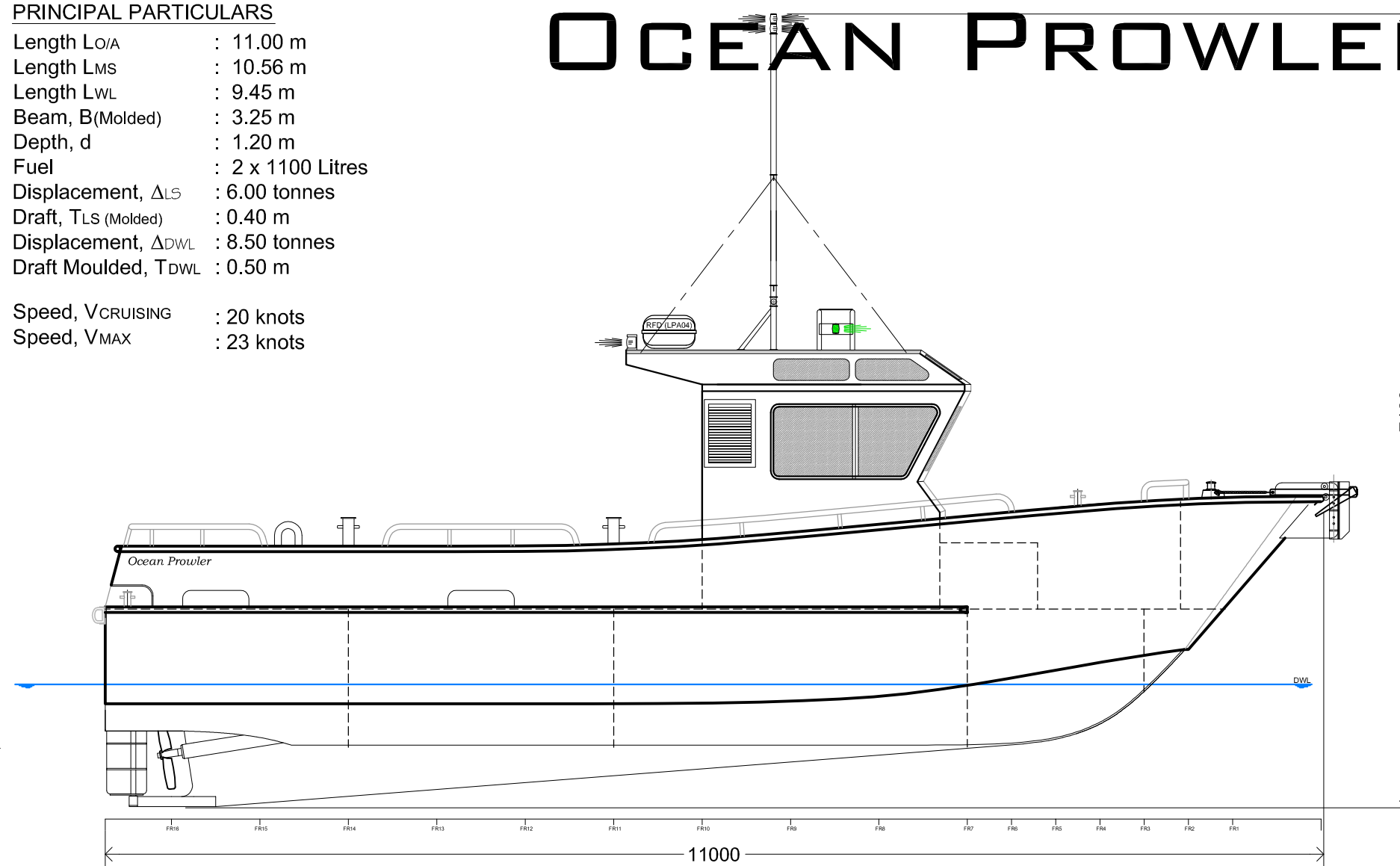
Length L_{O/A} : 11.00 m
 Length L_{MS} : 10.56 m
 Length L_{WL} : 9.45 m
 Beam, B(Molded) : 3.25 m
 Depth, d : 1.20 m
 Fuel : 2 x 1100 Litres
 Displacement, Δ_{LS} : 6.00 tonnes
 Draft, T_{LS} (Molded) : 0.40 m
 Displacement, Δ_{DWL} : 8.50 tonnes
 Draft Moulded, T_{DWL} : 0.50 m

 Speed, V_{CRUISING} : 20 knots
 Speed, V_{MAX} : 23 knots

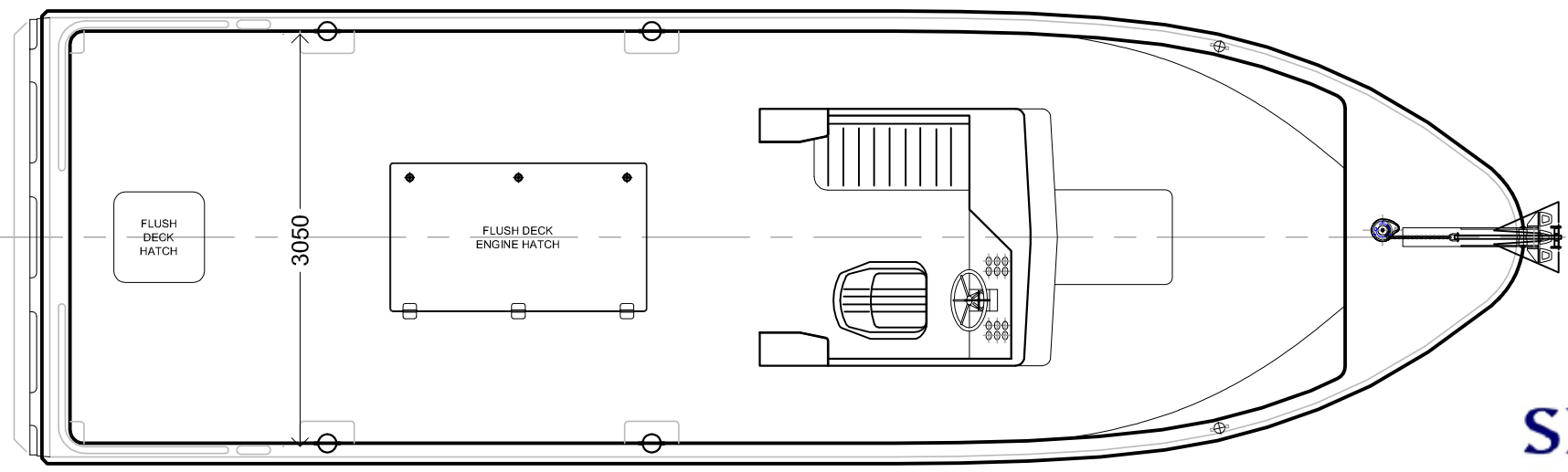
OCEAN PROWLER OP1 1000



- DESIGNED IN COMPLIANCE WITH THE USL CODE 2010
- MATERIAL BOTTOM, CHINE, TRANSOM, 6mm 5083 ALUMINIUM
 SIDES, DECK, 5mm 5083 ALUMINIUM
 FRAMES, LONGITUDINALS, GUNNEL 4mm 5083 ALUMINIUM



1 VIEW : PROFILE



2 VIEW : PLAN



Kit supply and cutting by Plate Alloy Australia P/L.
 Design copyright (c) Naval Architects Australia
www.platealloy.com



www.sealifedesigns.com



www.naaust.com.au

ACTUAL KIT MAY DIFFER FROM PICTURES SHOWN

THIS DESIGN INCLUDING SPECIFICATIONS, DRAWINGS & ITS CONTENTS ARE THE EXCLUSIVE PROPERTY OF SEALIFE DESIGNS/NAVAL ARCHITECTS AUSTRALIA & IS FURNISHED ON A CONFIDENTIAL BASIS, WITH THE EXPRESSED AGREEMENT THAT IT WILL NOT BE SOLD, TRANSFERRED, COPIED, TRACED, PHOTOGRAPHED OR REPRODUCED IN ANY MANNER WHATSOEVER IN WHOLE OR PART, WITH OUT THE WRITTEN CONSENT OF SEALIFE DESIGNS/NAVAL ARCHITECTS AUSTRALIA. THE RECIPIENT AGREES NOT TO DISCLOSE TO ANY OTHER PARTY INFORMATION HEREIN, NOR TO USE SUCH INFORMATION EXCEPT FOR THE PURPOSES CONTRACTED FOR.