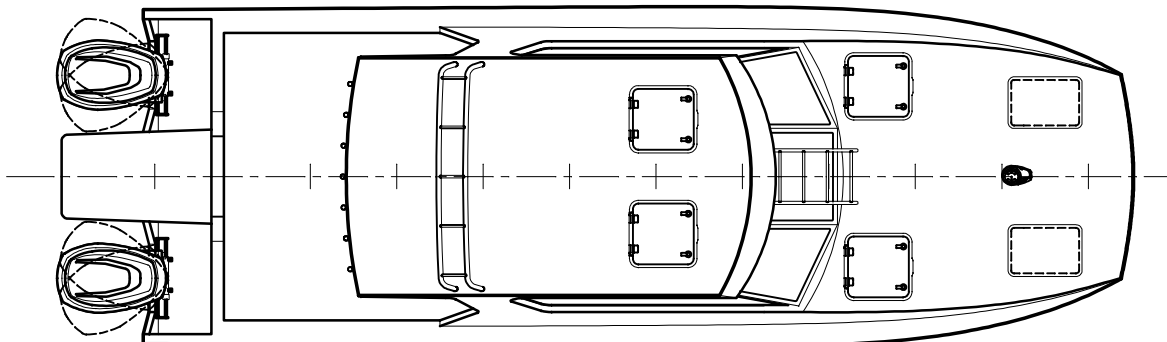
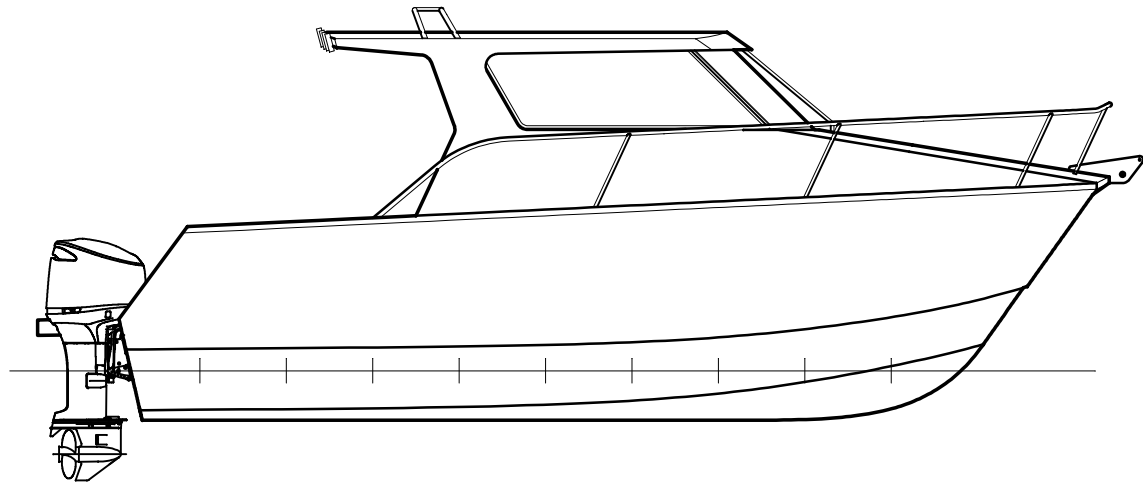
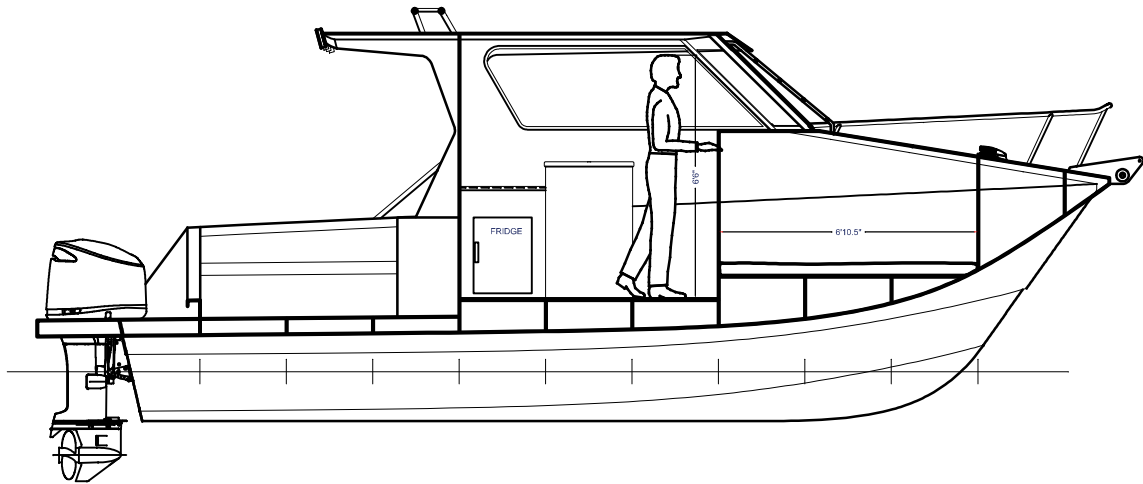
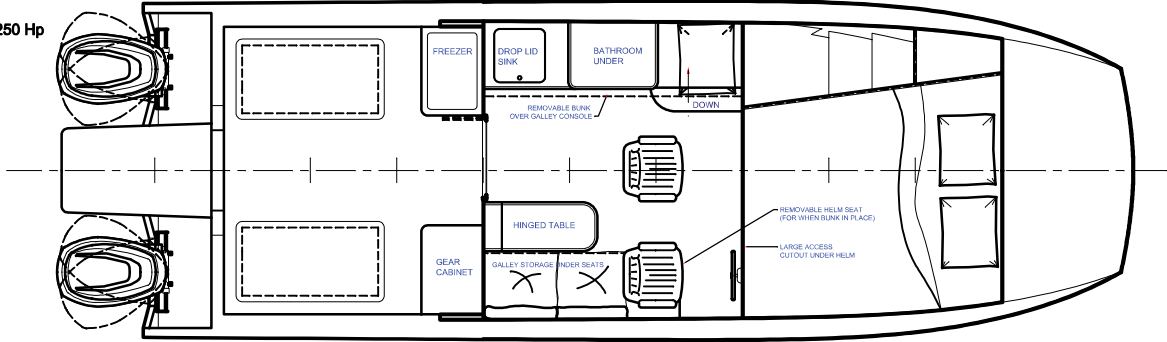


PRINCIPAL PARTICULARS

LOA: 8.9 m
 LOH: 8.0 m
 BEAM: 2.8m
 DEPTH: 1.9 m
 DRAFT: 0.4 m
 D/RISE: 11°
 DISPL: 3100 kg
 POWER: 2 X 150 - 250 Hp

8.0m POWER CAT
 GENERAL ARRANGEMENT



www.platealloy.com

