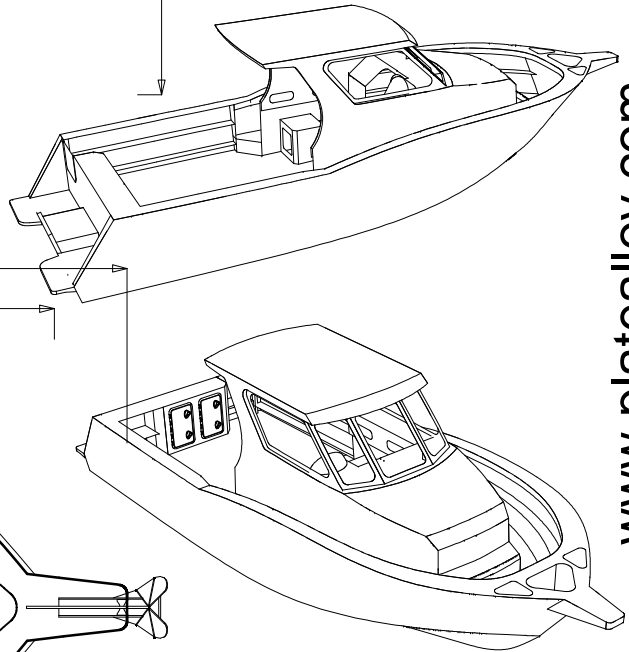
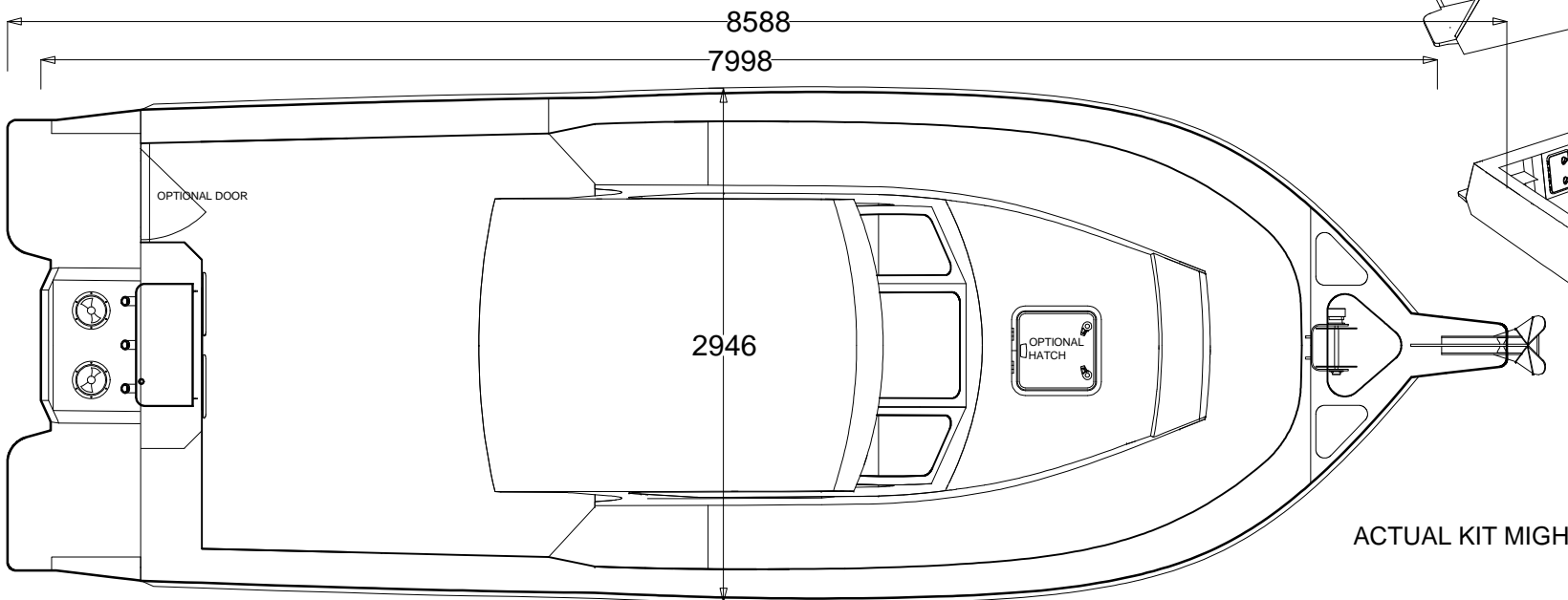
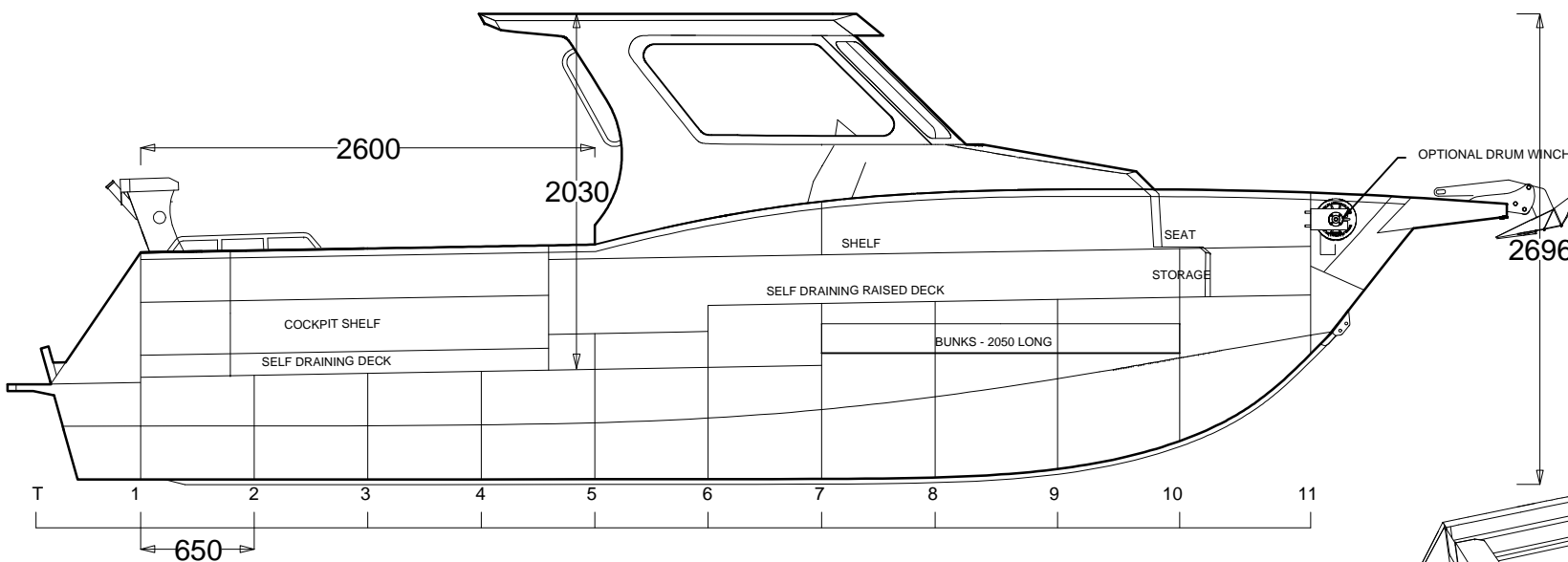


8m Walk Around

PRINCIPAL PARTICULARS

- LOA: 8.6 m (Hull Only)
- LOH: 8 m (Hull Only)
- BEAM: 2.95m
- DEPTH: 1.66m
- DRAFT: 0.38m (HULL)
- D/RISE: 15.6° @ TRAN.
- DISPL: 2100kg DRY -w- 250HP
- ENG: Single - 30" (XXL SHAFT)
- ENG: Twins - 25" (XL SHAFT)

2696 Boat hull to be foam filled.



ACTUAL KIT MIGHT DIFFER FROM PICTURES SHOWN

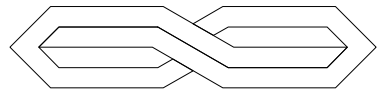


PLATE ALLOY

Note: Layout can be customised by owner
Owner Advised to provide sun protection

www.platealloy.com

8m Walk Around



PLATE ALLOY

www.platealloy.com

