

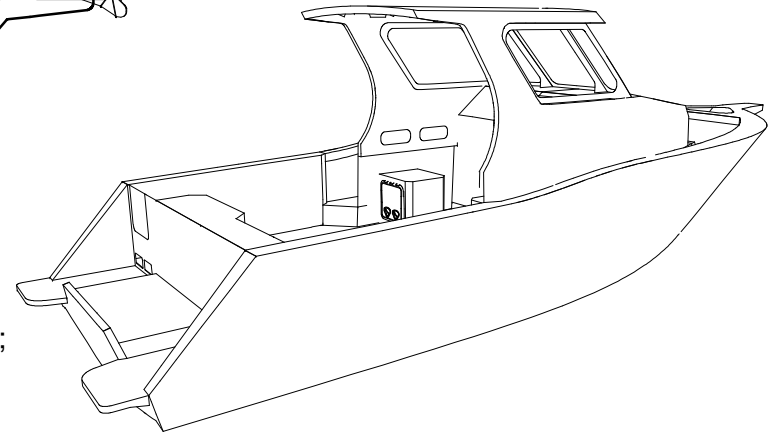
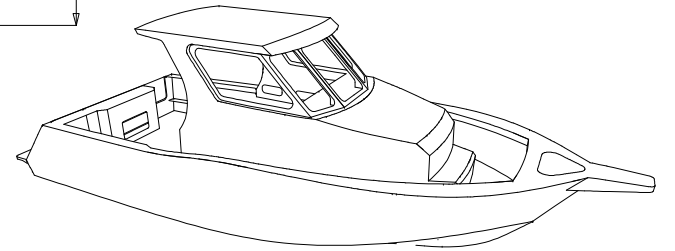
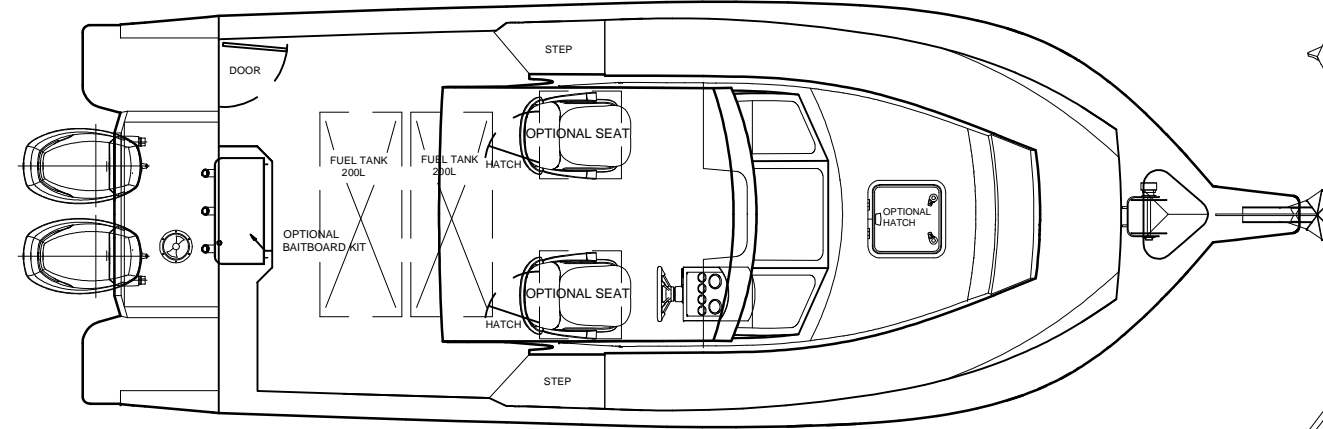
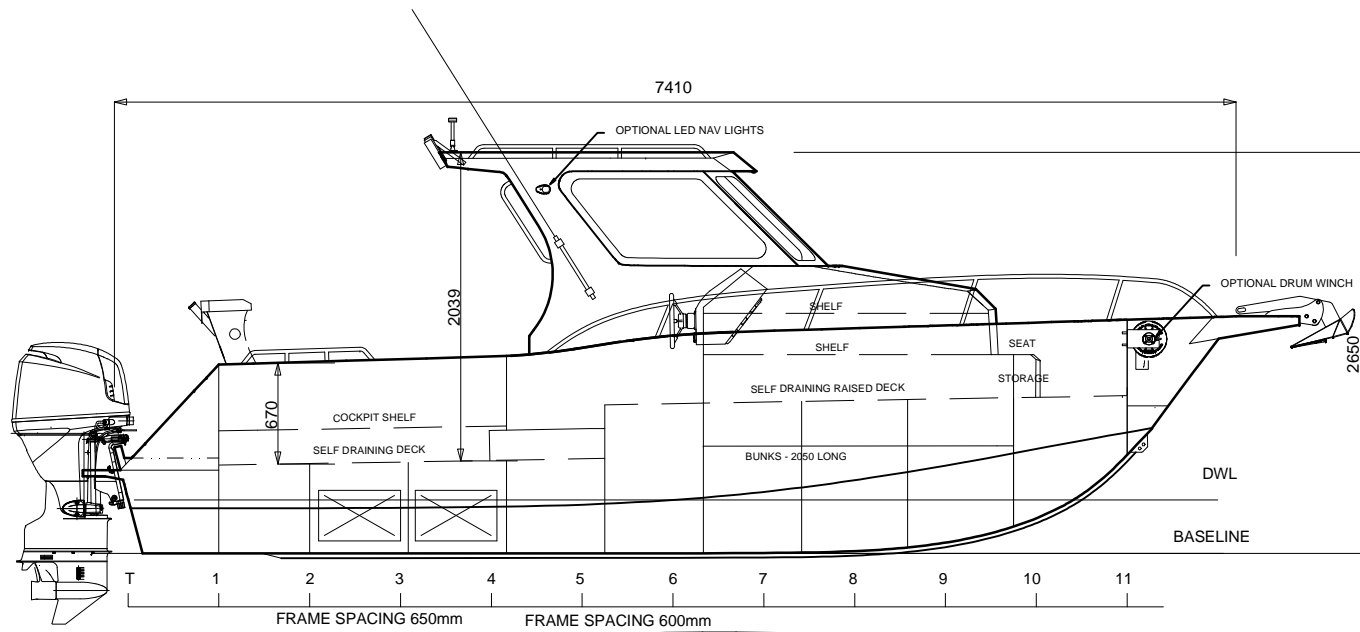
# 7.5m CENTRE CAB

## GENERAL ARRANGEMENT

### PRINCIPAL PARTICULARS

LOA: 8.4 m (Hull Only)  
 LOH: 7.42 m (Hull Only)  
 BEAM: 2.9m  
 DEPTH: 1.53m  
 DRAFT: 0.35m (HULL)  
 D/RISE: 16° @ TRAN.  
 DISPL: 1550kg DRY -w- 250HP  
 ENG: SINGLE - 30" (XXL SHAFT)  
 ENG: TWIN - 25" (XL SHAFT)

Boat hull to be foam filled.



ACTUAL KIT MIGHT DIFFER FROM PICTURES SHOWN

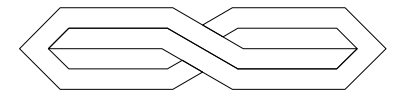


PLATE ALLOY

www.platealloy.com

Note: Layout can be customised by owner  
 Owner Advised to provide sun protection

AUSTRALIAN BUILDERS PLATE  
 BUILDER "YOUR NAME"  
 HIN AU "SEE REGISTRATION"  
 Max  $\uparrow$  = 250 hp  
 = 300 kg  
 Max  $\uparrow$  6 = 480 kg  
 Max  $\uparrow$   $\uparrow$   $\uparrow$   $\uparrow$  = 1000 kg  
 Buoyancy BASIC Flotation  
 Alteration of the boat's hull or permanent fittings may invalidate the particulars on this plate.  
 A REDUCTION IN MAXIMUM NUMBER OF PERSONS MUST BE MADE IN ADVERSE WEATHER CONDITIONS OR WHEN ON THE OPEN SEA.

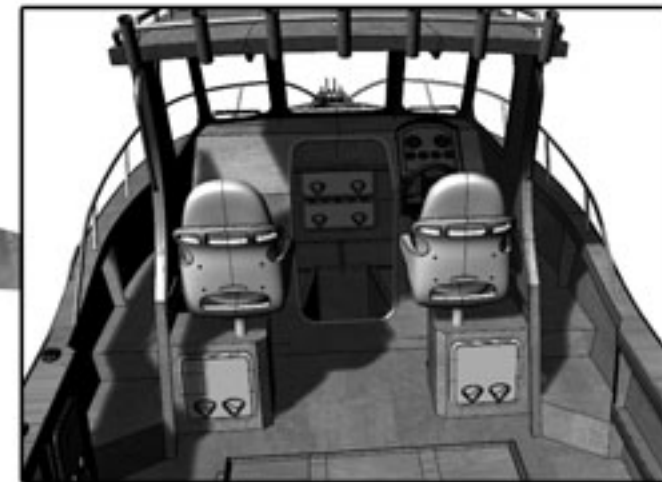
- Design in compliance with AS1799-1 2009
- Structure in accordance with ISO 12215
- Material: - Bottom, Chine, Transom & Stringers 5mm 5083 aluminium;  
 - Sides, Deck, etc. 4mm 5083 aluminium;  
 - Cabin 3mm 5083 aluminium.
- Builders plate, Jig, Drawings & Photo CD included with kit.
- Bollards, Scuppers, Inspection port & Drain plug included in the kit.
- 5 days per week helpdesk available
- Customization available.
- Flotation foam & most fit out parts available, check catalogue for pricing.

# 7.5x2.9 WALK AROUND



**PLATE ALLOY**

[www.platealloy.com](http://www.platealloy.com)





7.5x2.9 WALK AROUND



**PLATE ALLOY**  
[www.platealloy.com](http://www.platealloy.com)

