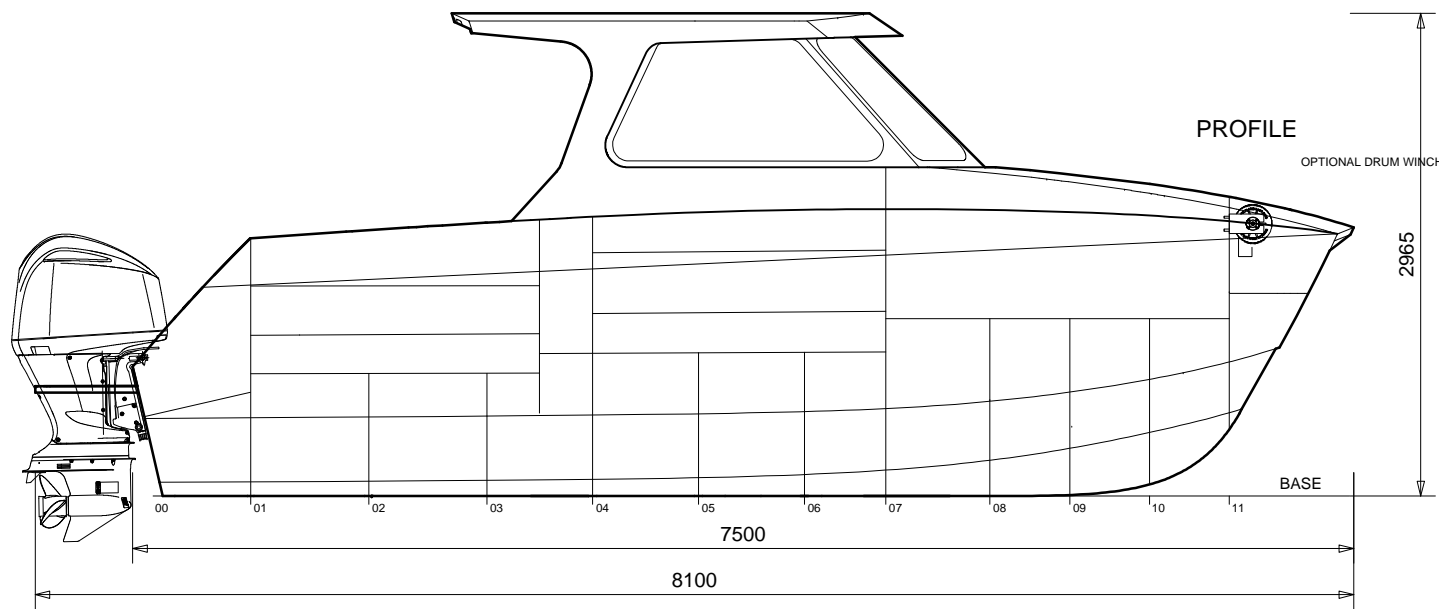


7.5m POWERCAT GENERAL ARRANGEMENT

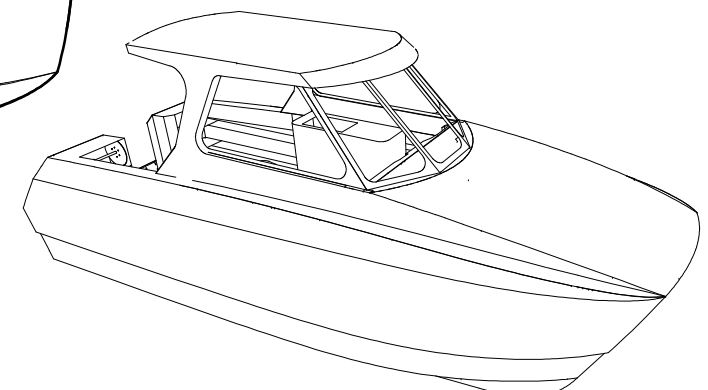
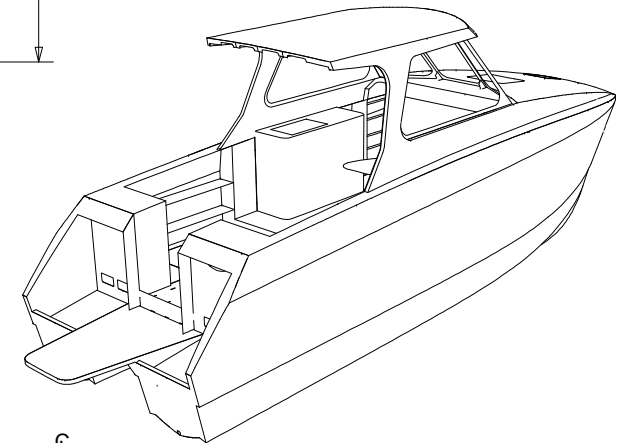
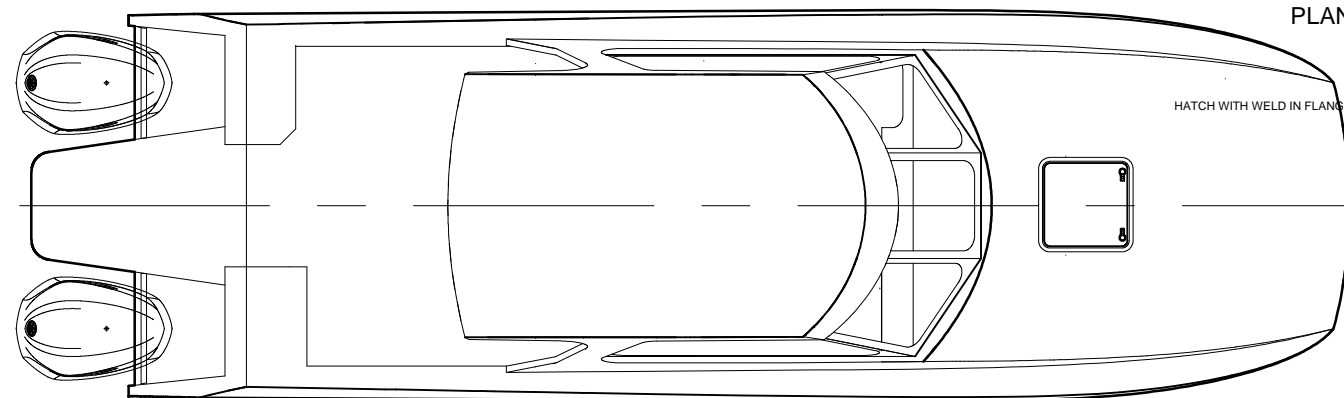
PRINCIPAL PARTICULARS

| | |
|--------|-------------------|
| LOH: | 7.5 m (Hull Only) |
| BEAM: | 2.5m |
| DEPTH: | 1.76m |
| DRAFT: | 0.35m (HULL) |
| DISPL: | 2800 KG |
| ENG: | 2x 100-200 HP |
| TANK: | 2X250 L (FUEL) |
| | 150 L (WATER) |

Boat hull to be foam filled.



Design (c) C. Tucker.



ACTUAL KIT MIGHT DIFFER FROM PICTURES SHOWN

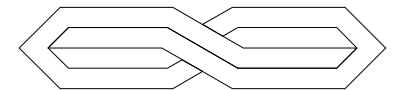


PLATE ALLOY

www.platealloy.com

Note: Layout can be customised by owner
Owner Advised to provide sun protection

| | |
|--|-----------------|
| AUSTRALIAN BUILDERS PLATE | |
| BUILDER "YOUR NAME" | |
| HIN AU- "SEE REGISTRATION" | |
| Max | 200 hp |
| | 275 kg |
| Max | 5 |
| Max | 739 kg |
| Buoyancy | BASIC Flotation |
| <p>⚠ Alteration of the boat's hull or permanent fittings may invalidate the particulars on this plate.</p> <p>A REDUCTION IN MAXIMUM NUMBER OF PERSONS MUST BE MADE IN ADVERSE WEATHER CONDITIONS OR WHEN ON THE OPEN SEA.</p> | |

- Design in compliance with AS1799-1 2009
- Structure in accordance with ISO 12215
- material:
 - Bottom, Chine, Transom & Stringers, 5mm 5083 aluminium.
 - Sides, Deck, Cuddy, etc. 4mm 5083 Aluminium
- Builders plate, Jig, Drawings & Photo CD included with kit.
- Bollards, Scuppers, Inspection port & Drain plug included in the kit.
- 5 days per week helpdesk available
- Customization available.
- Flotation foam & most fit out parts available, check catalogue for pricing.
- HIN number engraved in kit & registered.



7.5 POWERCAT



PLATE ALLOY

www.platealloy.com





7.5 POWERCAT



PLATE ALLOY
www.platealloy.com

