

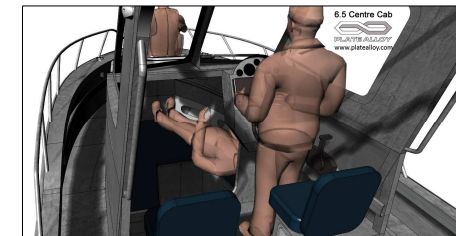
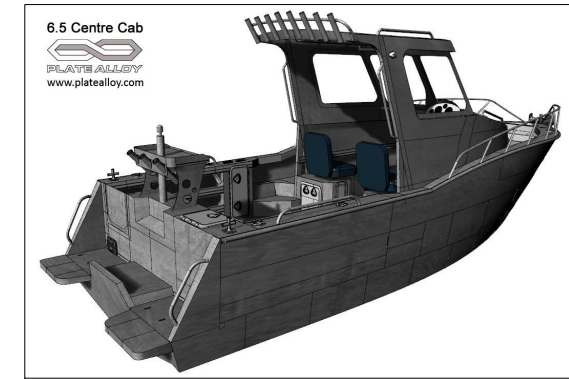
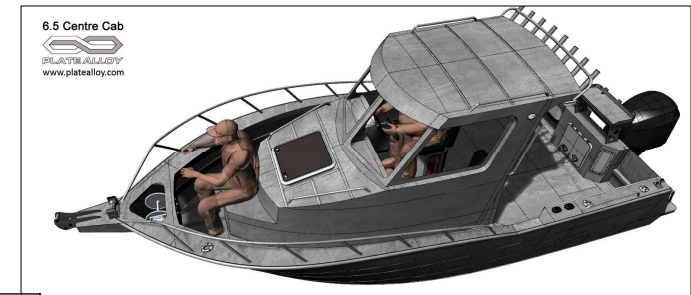
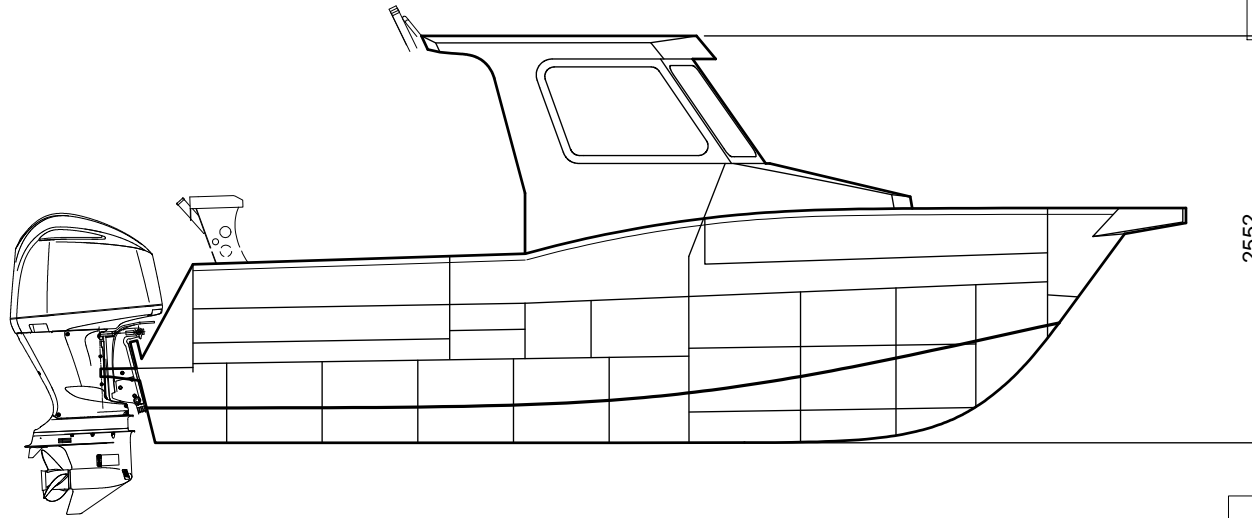
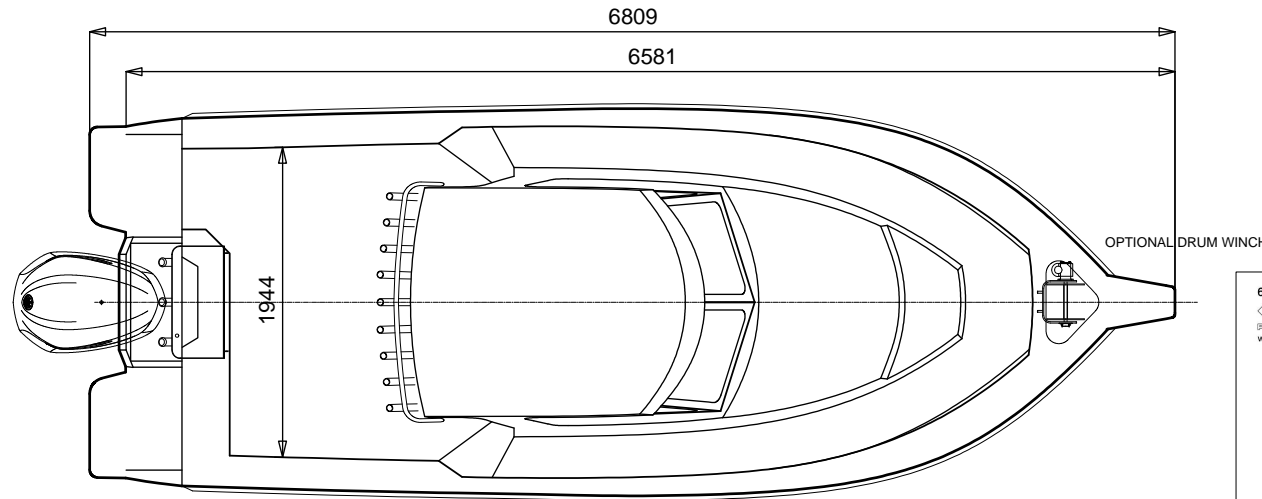
# 6.5m Centre Cab

## GENERAL ARRANGEMENT

### PRINCIPAL PARTICULARS

LOA: 6.70 m  
 LOH: 6.50 m (Hull Only)  
 BEAM: 2.45m  
 DEPTH: 1.47m  
 D/RISE: 14° @ TRAN.  
 DISPL: 1500kg DRY -w- 200HP

Boat hull to be foam filled.



www.platealloy.com

**AUSTRALIAN BUILDERS PLATE**

BUILDER \*YOUR NAME\*

RIN AU- \*SEE REGISTRATION\*

Max 7 = 250 hp

Max 7 = 325 kg

Max 7 = 630 kg

Max 7 + 7 + 7 = 975 kg

Buoyancy BASIC Flotation

**⚠** Alteration of the boat's hull or permanent fittings may invalidate the particulars on this plate.

A REDUCTION IN MAXIMUM NUMBER OF PERSONS MUST BE MADE IN ADVERSE WEATHER CONDITIONS OR WHEN ON THE OPEN SEA.

- Design in compliance with AS1799-1 2009
- Structure in accordance with ISO 12215
- Kit from 5mm and 4mm 5083 aluminium.
- Builders plate, Jig, Drawings & Photo CD included with kit.
- Bollards, Scuppers, Inspection port & Drain plug included in the kit.
- 5 days per week helpdesk available
- Customization available.
- Flotation foam & most fit out parts available, check catalogue for pricing.
- HIN number engraved in kit & and registered.

ACTUAL KIT MIGHT DIFFER FROM PICTURES SHOWN

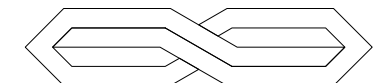


PLATE ALLOY

Note: Layout can be customised by owner  
 Owner Advised to provide sun protection

# 6.5m Centre Cab GENERAL ARRANGEMENT



ACTUAL KIT MIGHT DIFFER FROM PICTURES SHOWN

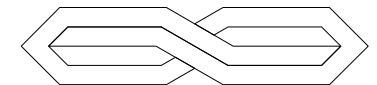


PLATE ALLOY

Note: Layout can be customised by owner  
Owner Advised to provide sun protection