

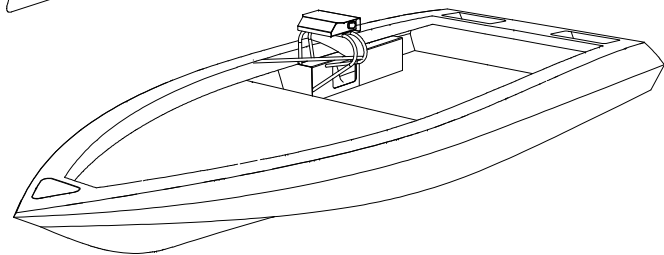
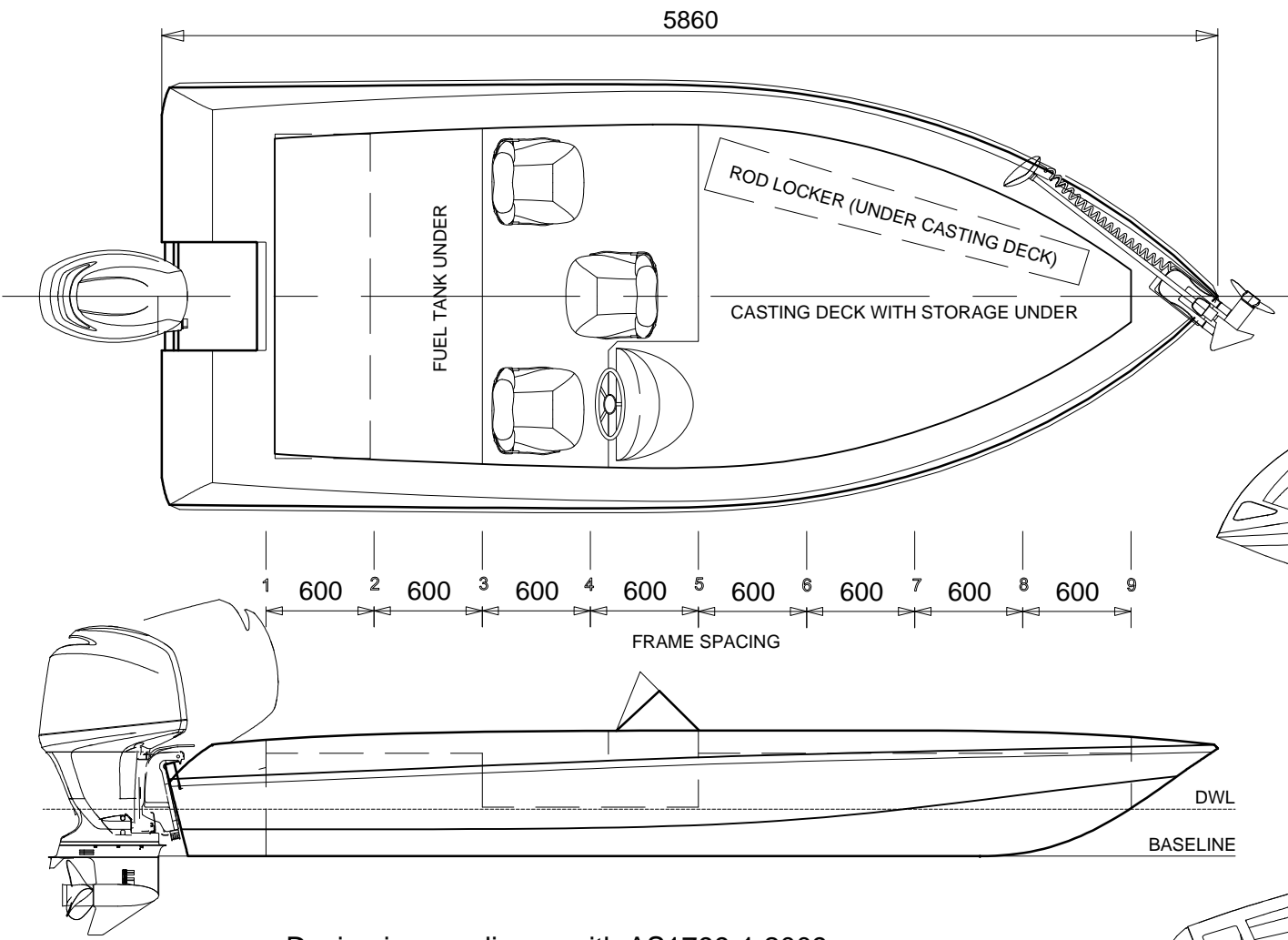
5.9m TOURNAMENT

GENERAL ARRANGEMENT

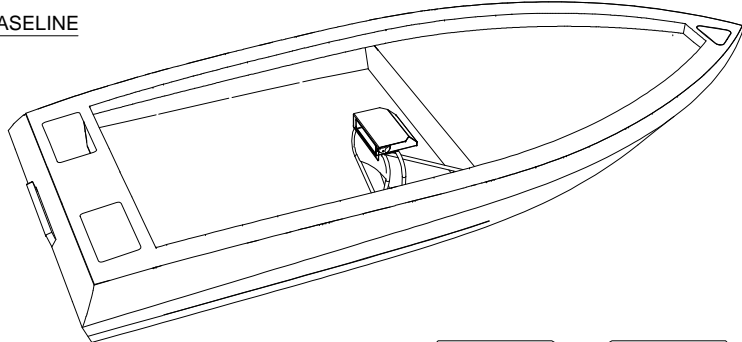
PRINCIPAL PARTICULARS

LOH:	5.9m (Hull Only)
BEAM:	2.4m
DEPTH:	0.8m
DRAFT:	0.26m (HULL)
D/RISE:	14. deg @ TRAN.
DISPL:	1400kg
ENG:	175HP (20' L SHAFT)

Note: Layout can be customised by owner
Owner Advised to provide sun protection



Different console option available
Custom change include casting deck option.



AUSTRALIAN BUILDERS PLATE

BUILDER "YOUR NAME"

HIN AU- "SEE REGISTRATION"

Max 140 hp
= 270 kg

Max 5 = 450 kg

Max 760 kg

Buoyancy BASIC Flotation

Alteration of the boat's hull or permanent fittings may invalidate the particulars on this plate.

A REDUCTION IN MAXIMUM NUMBER OF PERSONS MUST BE MADE IN ADVERSE WEATHER CONDITIONS OR WHEN ON THE OPEN SEA.

- Design in compliance with AS1799-1 2009
- Structure in accordance with ISO 12215
- Entire kit 4mm 5083 aluminium.
- Builders plate, Jig, Drawings & Photo CD included with kit.
- Bollards, Scuppers, Inspection port & Drain plug included in the kit.
- 5 days per week helpdesk available
- Customization available.
- Flotation foam & most fit out parts available, check catalogue for pricing.
- HIN number engraved in kit & and registered.

This drawing is the property of Plate Alloy Australia - 12-14 Elma Road, Cheltenham, Victoria, 3192, Australia. - Phone: (+613) 9555 6399 Fax: (+613) 9555 6499



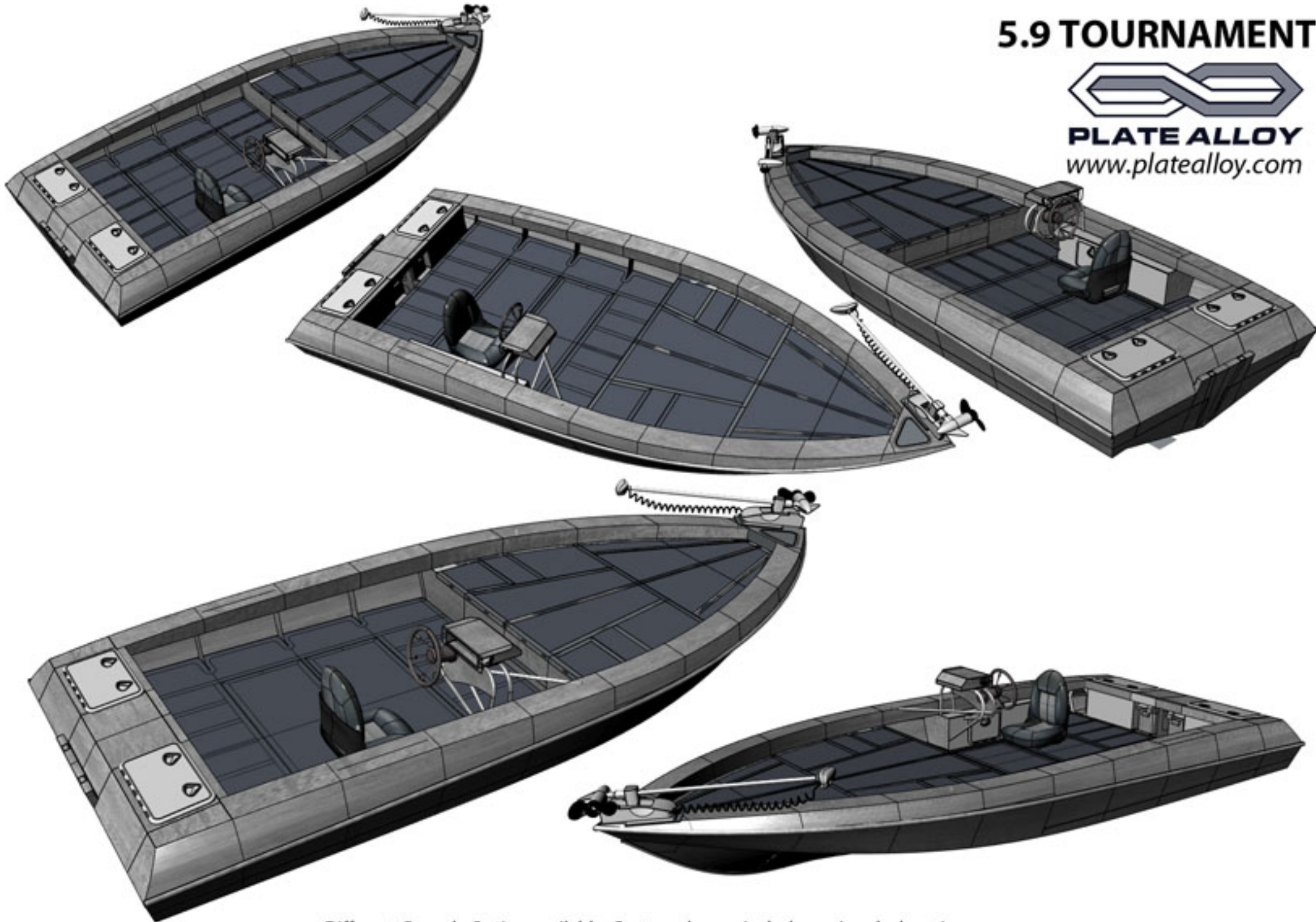
www.platealloy.com

5.9 TOURNAMENT



PLATE ALLOY

www.platealloy.com



Different Console Option available, Custom change include casting deck option.

5.9 TOURNAMENT



PLATE ALLOY
www.platealloy.com



Different Console Option available, Custom change include casting deck option.