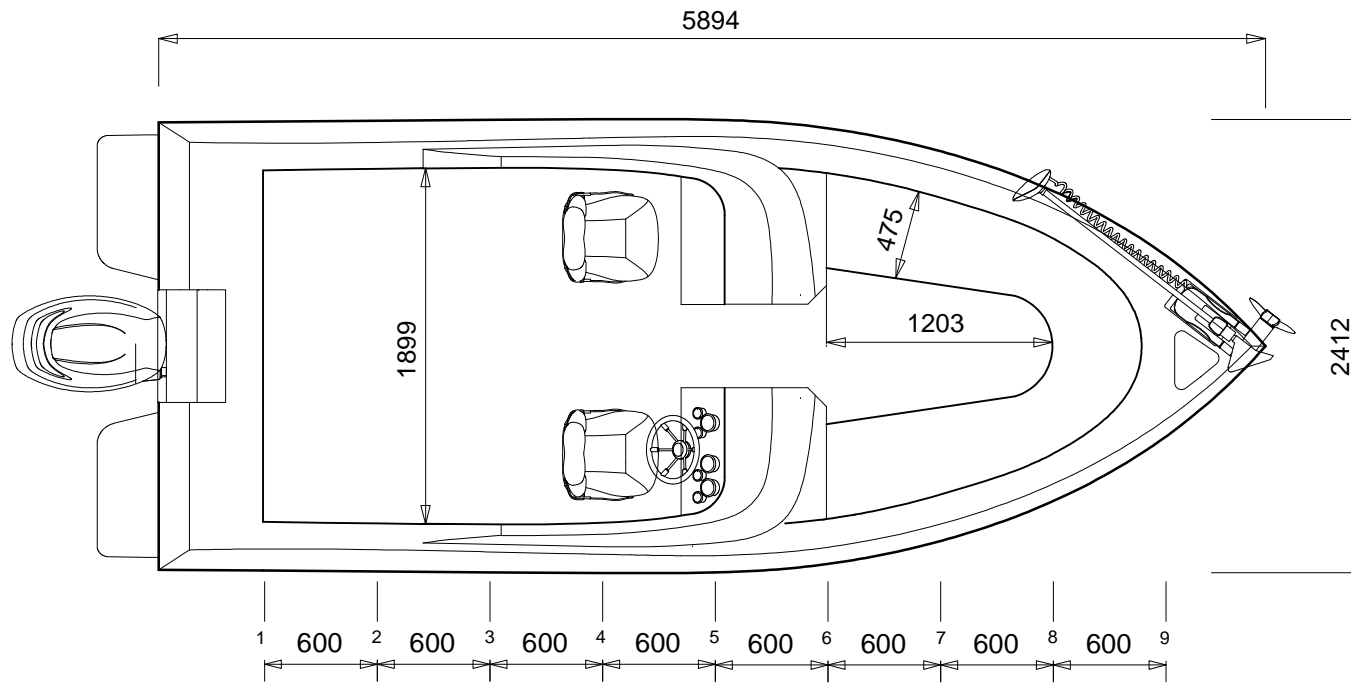


Note: Layout can be customised by owner  
 Owner Advised to provide sun protection

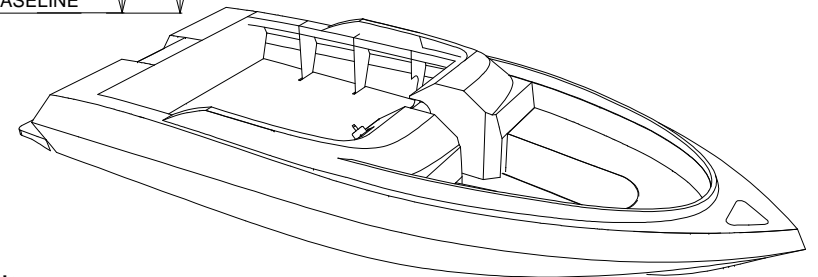
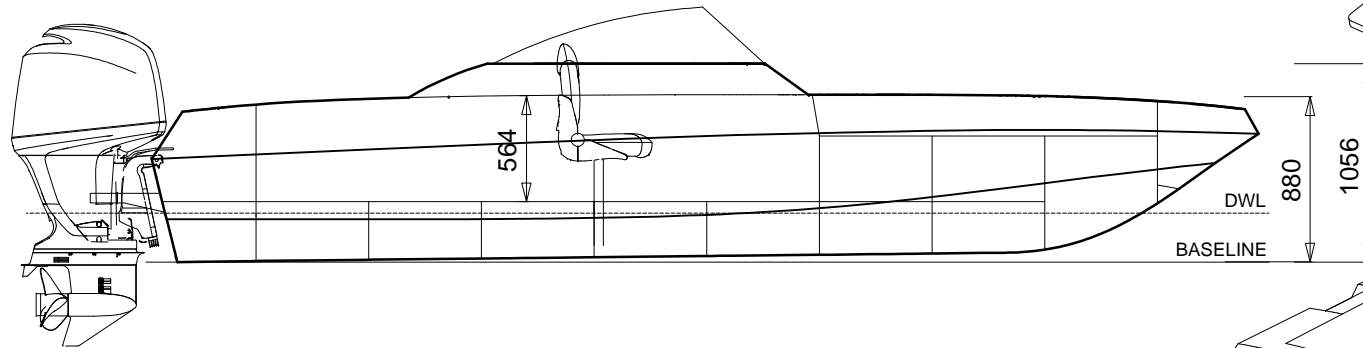
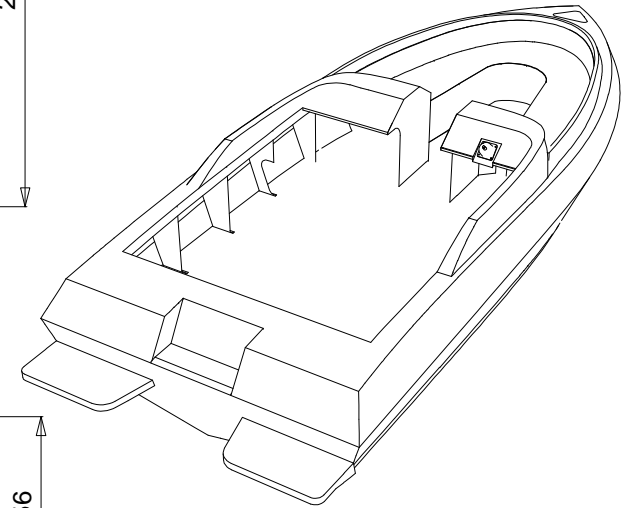


# 5.9m TOURNAMENT

## GENERAL ARRANGEMENT

### PRINCIPAL PARTICULARS

LOH:	5.9m (Hull Only)
BEAM:	2.4m
DEPTH:	0.8m
DRAFT:	0.26m (HULL)
D/RISE:	14. deg @ TRAN.
DISPL:	1400kg
ENG:	175HP (20" L SHAFT)



- Design in compliance with AS1799-1 2009
- Structure in accordance with ISO 12215
- Entire kit 4mm 5083 aluminium.
- Builders plate, Jig, Drawings & Photo CD included with kit.
- Bollards, Scuppers, Inspection port & Drain plug included in the kit.
- 5 days per week helpdesk available
- Customization available.- Flotation foam & most fit out parts available,
- Flotation foam & most fit out parts available, check catalogue for pricing.
- HIN number engraved in kit & and registered.

AUSTRALIAN BUILDERS PLATE

BUILDER "YOUR NAME"

HIN AU- "SEE REGISTRATION"

Max 175 hp  
270 kg

Max 5 450 kg

Max 760 kg

Buoyancy BASIC Flotation

Alteration of the boat's hull or permanent fittings may invalidate the particulars on this plate.

A REDUCTION IN MAXIMUM NUMBER OF PERSONS MUST BE MADE IN ADVERSE WEATHER CONDITIONS OR WHEN ON THE OPEN SEA.

ACTUAL KIT MIGHT DIFFER FROM PICTURES SHOWN

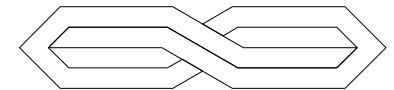


PLATE ALLOY

www.platealloy.com

# 5.9 SKI



**PLATE ALLOY**

[www.platealloy.com](http://www.platealloy.com)

