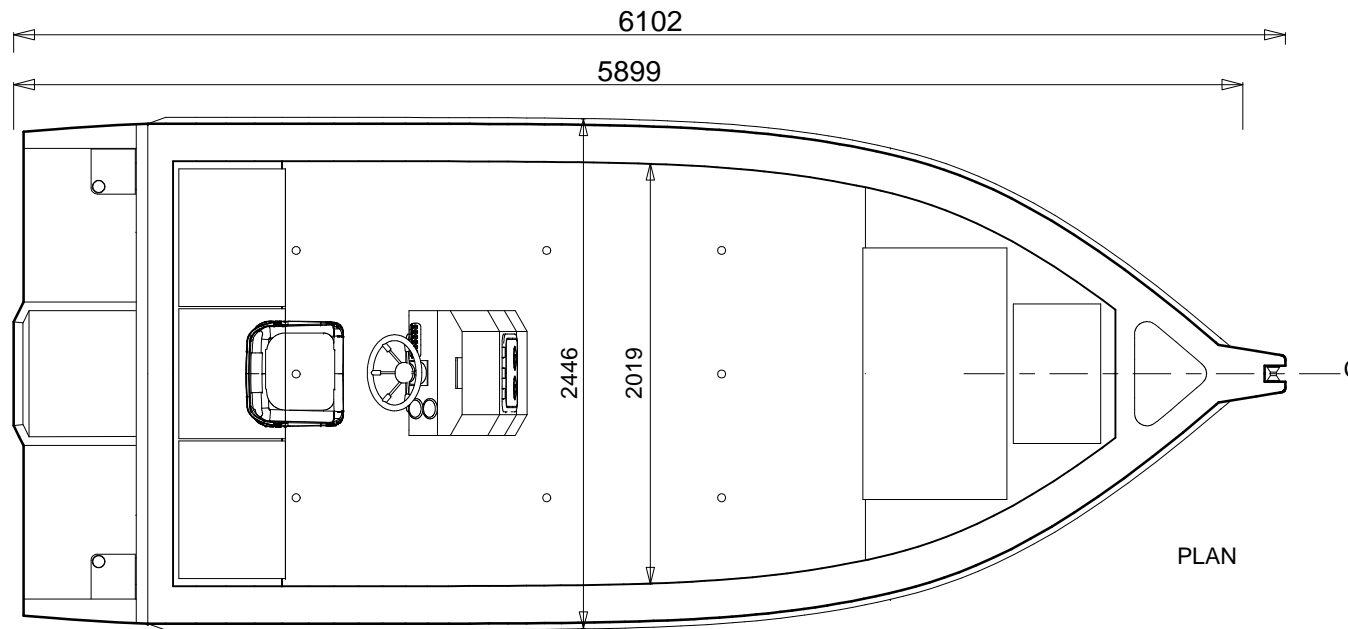


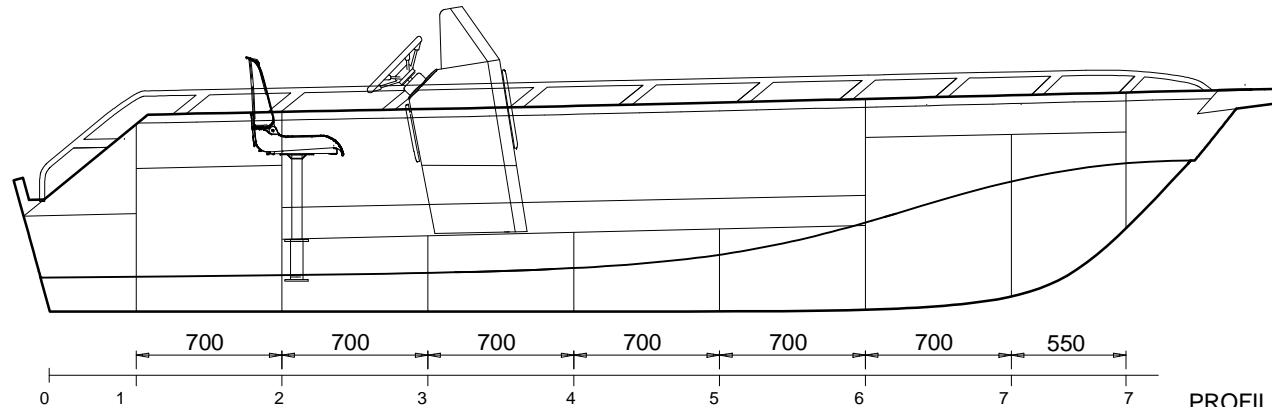
5.9m ADVENTURER

GENERAL ARRANGEMENT PRINCIPAL PARTICULARS

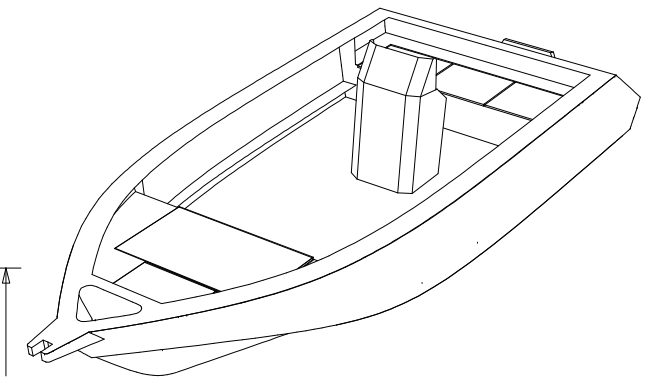
LOA: 6.1m
 LENGTH: 5.9 m
 BEAM: 2.45 m
 DEPTH: 1.17 m
 DRAFT: 0.3m (HULL-TBC)
 D/RISE: 10.5° @ TRAN.-TBC
 WEIGHT: 800kg DRY -w- 250HP - TBC
 ENG: 25" (X- LONG)
 H.P: 215Hp (TBA)



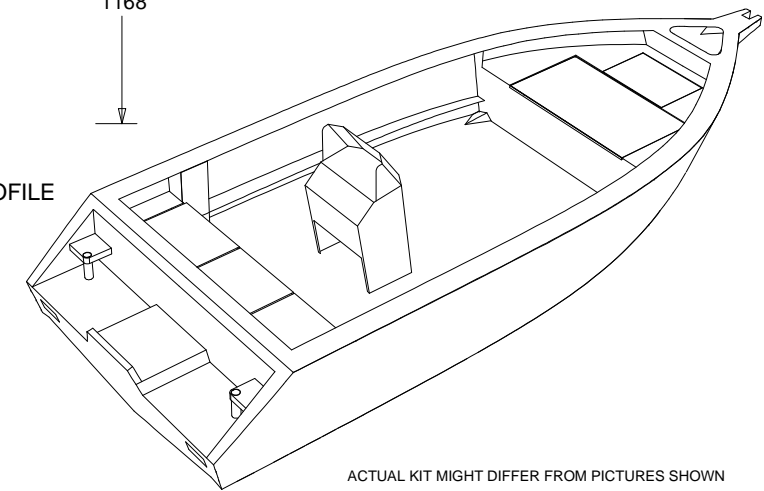
PLAN



PROFILE



1168



ACTUAL KIT MIGHT DIFFER FROM PICTURES SHOWN

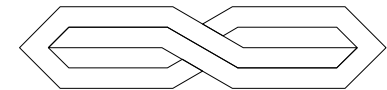


PLATE ALLOY

www.platealloy.com

Note: Layout can be customised by owner
 Owner Advised to provide sun protection

AUSTRALIAN BUILDERS PLATE

BUILDER "YOUR NAME"

HIN AU- "SEE REGISTRATION"

Max 215 hp
 275 kg

Max 7 630 kg

Max 1000 kg

Buoyancy BASIC Flotation

Alteration of the boat's hull or permanent fittings may invalidate the particulars on this plate.

A REDUCTION IN MAXIMUM NUMBER OF PERSONS MUST BE MADE IN ADVERSE WEATHER CONDITIONS OR WHEN ON THE OPEN SEA.

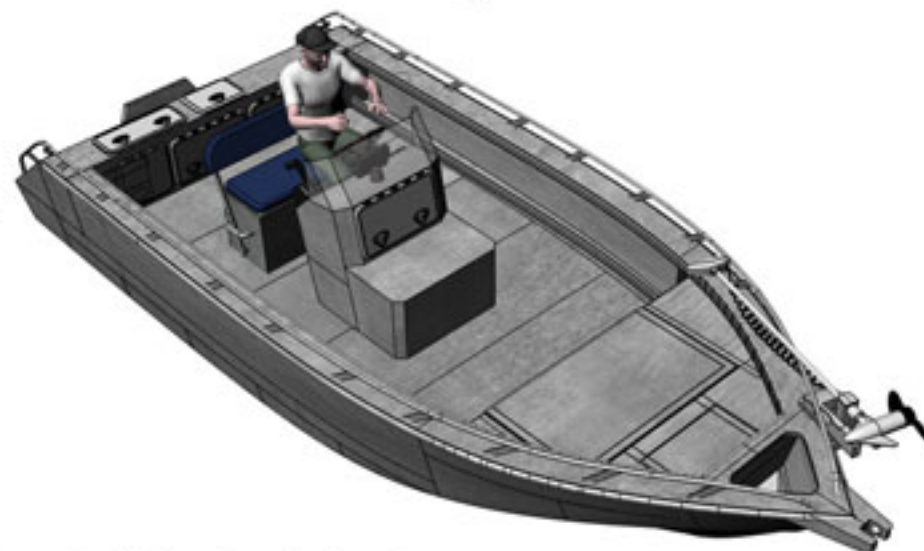
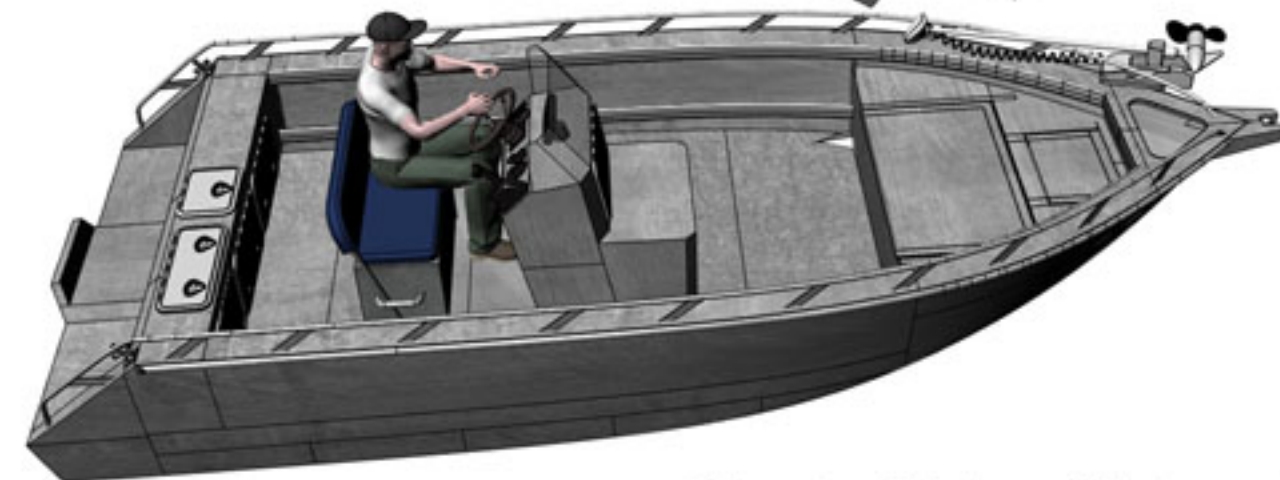
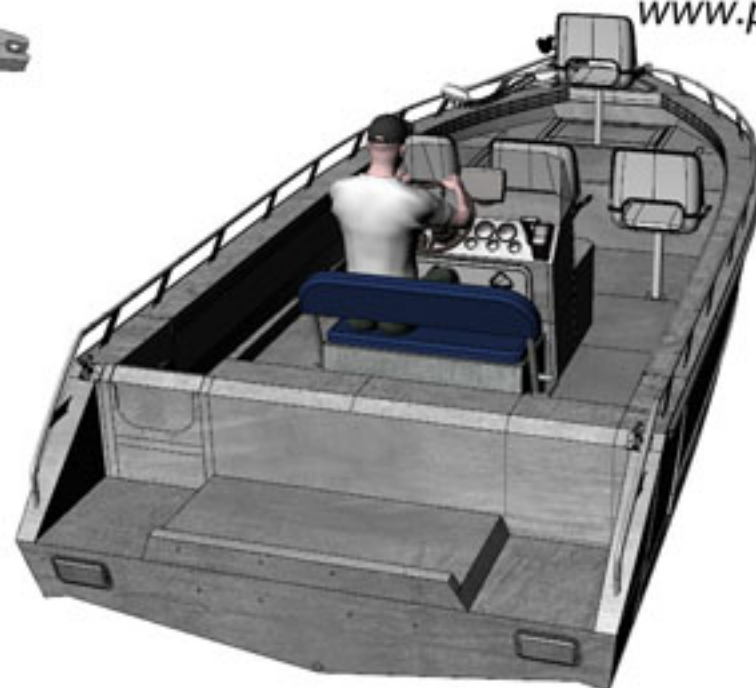
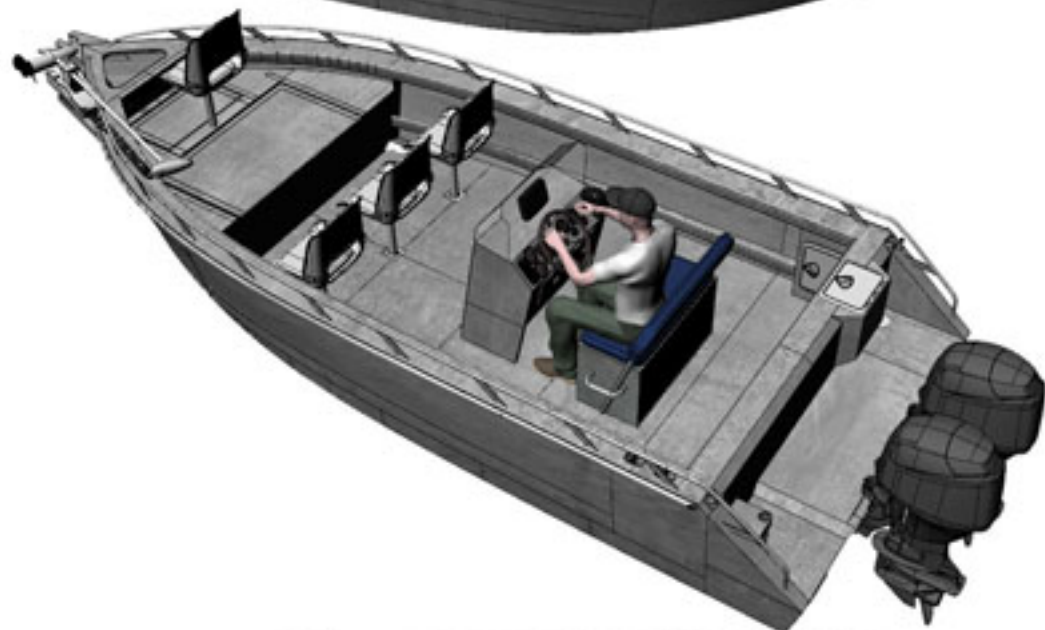
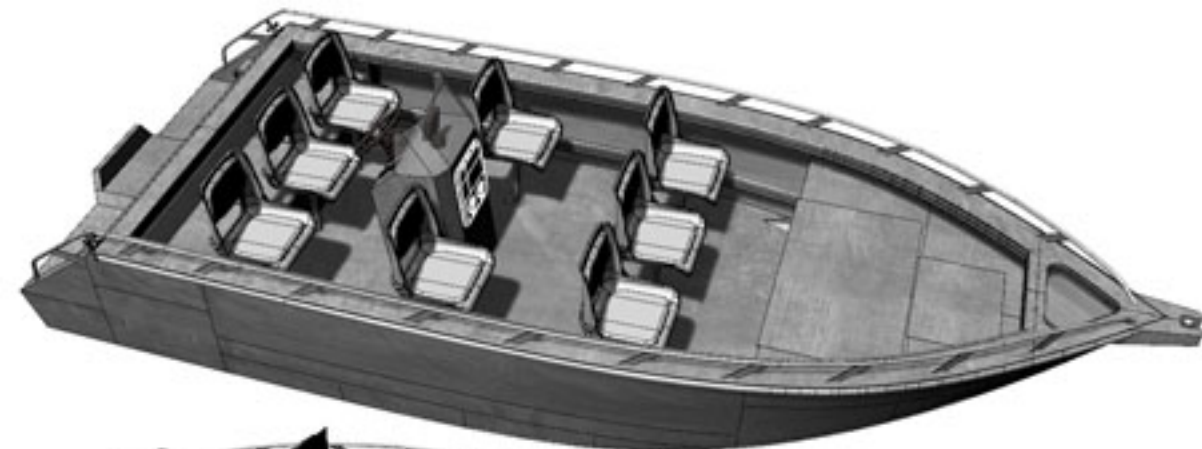
- Design in compliance with AS1799-1 2009
- Structure in accordance with ISO 12215
- material:
 - All plating 4mm & 5mm 5083 aluminium.
 - All extrusions 6061 aluminium
- Builders plate, Jig, Drawings & Photo CD included with kit.
- Bollards, Scuppers, Inspection port & Drain plug included in the kit.
- 5 days per week helpdesk available
- Customization available.
- Flotation foam & most fit out parts available, check catalogue for pricing.
- HIN number engraved in kit & registered.

5.9 ADVENTURER



PLATE ALLOY

www.platealloy.com



Different Console Option available, Custom change include casting deck option.