

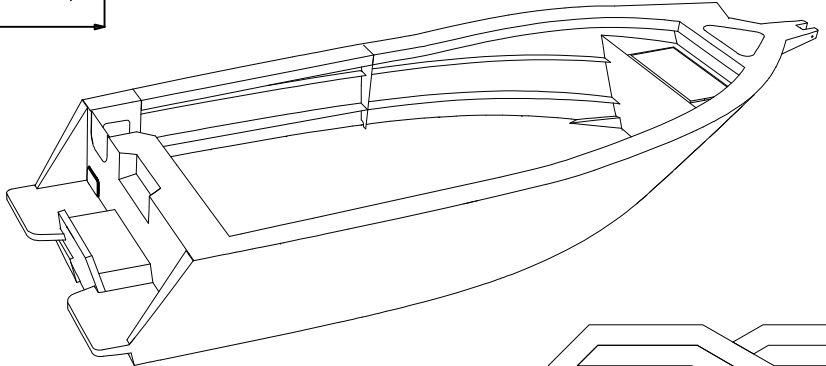
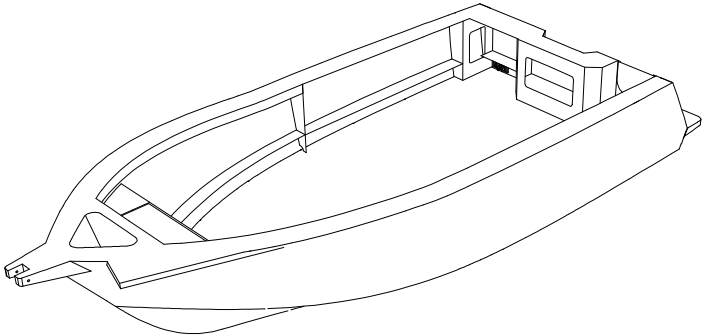
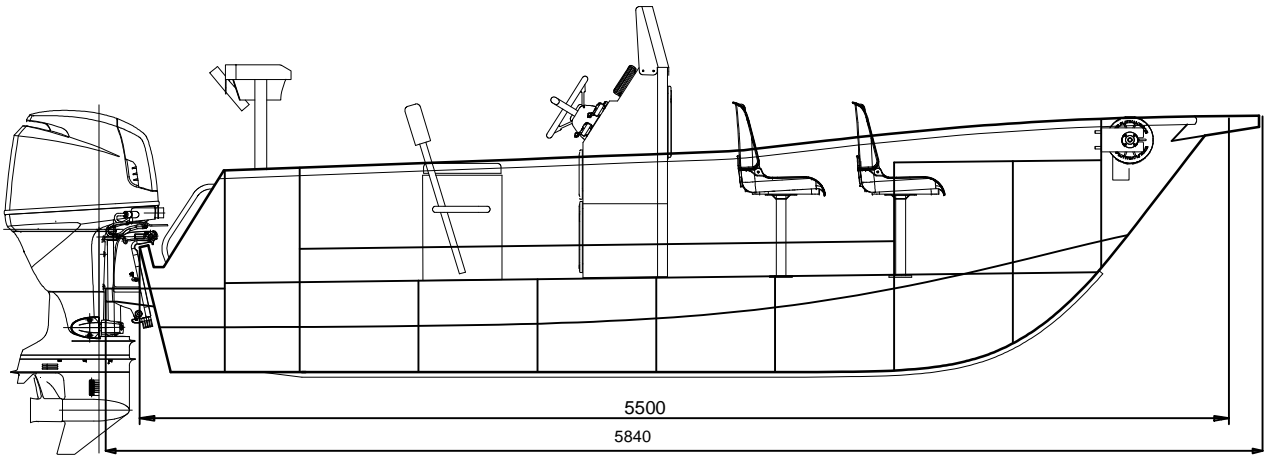
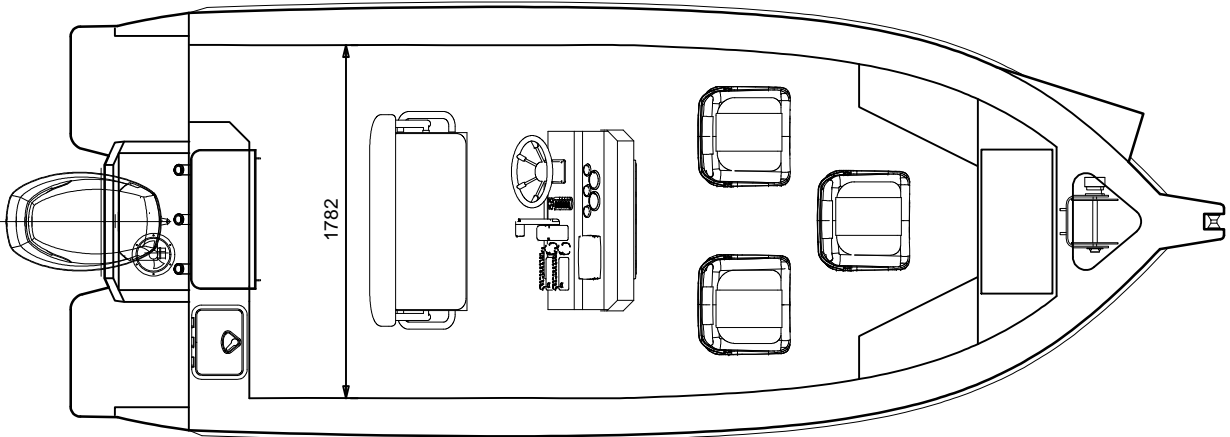
5.5m CENTRE CONSOLE

GENERAL ARRANGEMENT

PRINCIPAL PARTICULARS

LOA:	5.85 m (Hull Only)
BEAM:	2.25m
DEPTH:	1.33m
DRAFT:	0.275m (HULL)
D/RISE:	16° @ TRAN.
DISPL:	1000kg DRY -w- 115HP

Boat hull to be foam filled.



www.platealloy.com

Note: Layout can be customised by owner.

ABP DATA T.B.C

AUSTRALIAN BUILDERS PLATE

BUILDER "YOUR NAME"

HIN AU- "SEE REGISTRATION"

Max 125 hp
220 kg

Max 5 400 kg

Max 700 kg

Buoyancy BASIC Flotation

Alteration of the boat's hull or permanent fittings may invalidate the particulars on this plate.

A REDUCTION IN MAXIMUM NUMBER OF PERSONS MUST BE MADE IN ADVERSE WEATHER CONDITIONS OR WHEN ON THE OPEN SEA.

- Design in compliance with AS1799-1 2009
- Structure in accordance with ISO 12215
- Bottom, sides, chine, transom - 4mm 5083 aluminium
- Builders plate, Jig, Drawings & Photo CD included with kit.
- Bollards, Scuppers, Inspection port & Drain plug included in the kit.
- 5 days per week helpdesk available
- Customization available.
- Flotation foam & most fit out parts available, check catalogue for pricing.
- HIN number engraved in kit & and registered.

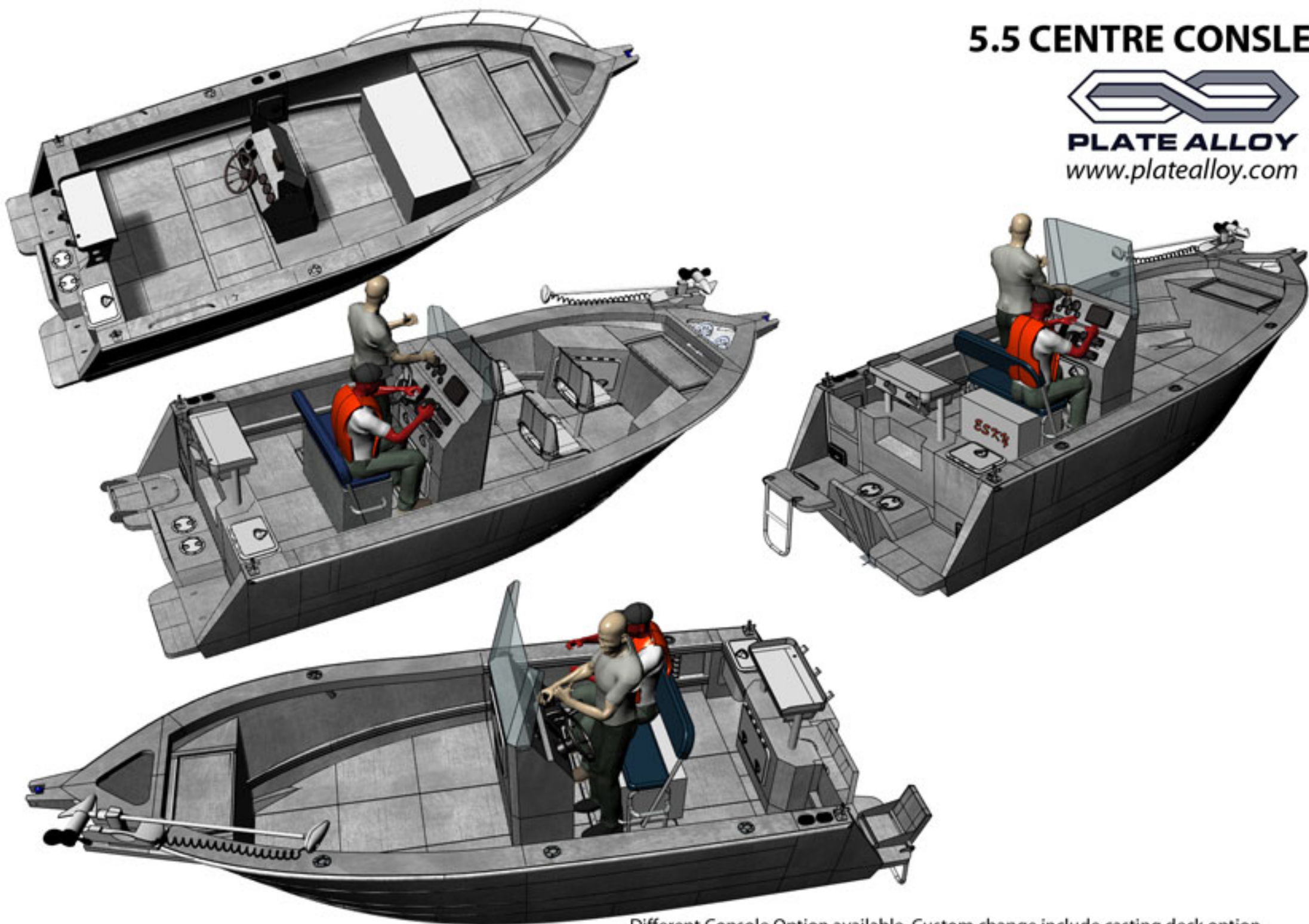


5.5 CENTRE CONSOLE



PLATE ALLOY

www.platealloy.com



Different Console Option available, Custom change include casting deck option.

5.5 CENTRE CONSOLE



PLATE ALLOY

www.platealloy.com



Different Console Option available, Custom change include casting deck option.