

5.4m Ski / Tournament

GENERAL ARRANGEMENT

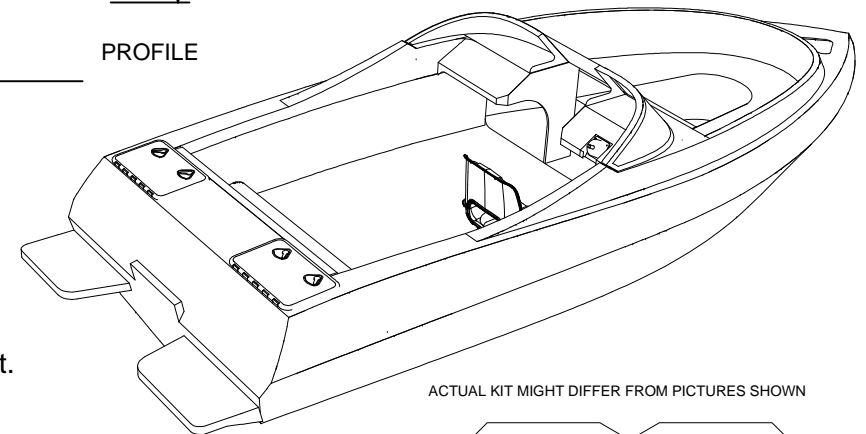
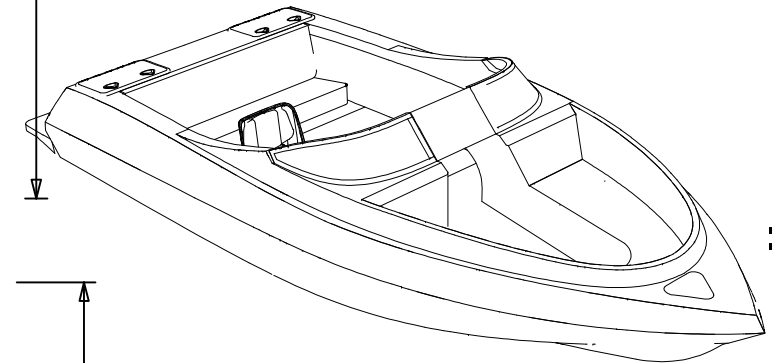
PRINCIPAL PARTICULARS

LOA:	5.8m
LENGTH:	5.4 m
BEAM:	2.35 m
DEPTH:	1.1m
DRAFT:	0.25m (HULL)
D/RISE:	10° @ TRAN.
WEIGHT:	700kg DRY -w- 150HP
ENG:	20" (LONG)
H.P:	175Hp (MAX) - 150Hp Rec.

2348

1071

PROFILE



ACTUAL KIT MIGHT DIFFER FROM PICTURES SHOWN

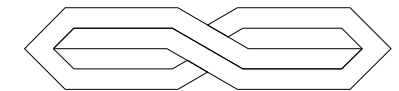
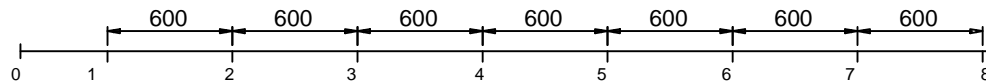
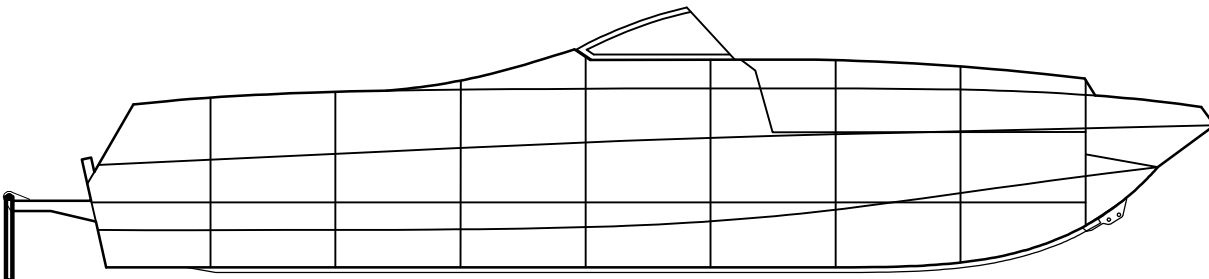
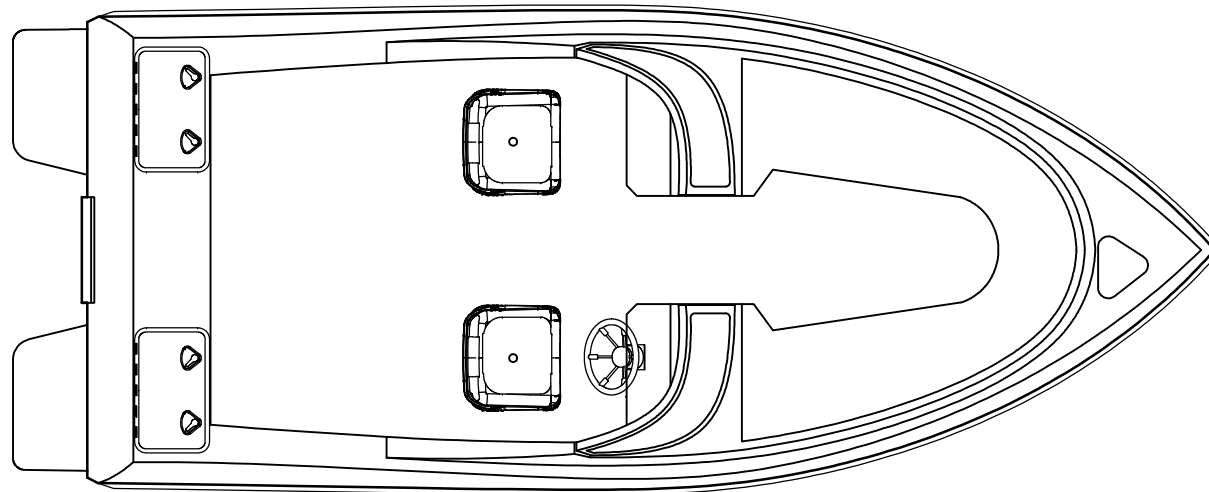
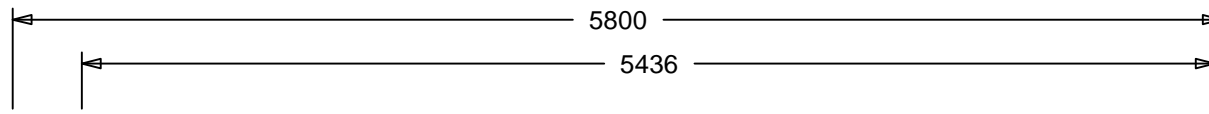


PLATE ALLOY

www.platealloy.com



- Design in compliance with AS1799-1 2009
- Structure in accordance with ISO 12215
- material:
 - All plating 4mm 5083 aluminium.
 - All extrusions 6061 aluminium
- Builders plate, Jig, Drawings & Photo CD included with kit.
- Bollards, Scuppers, Inspection port & Drain plug included in the kit.
- 5 days per week helpdesk available
- Customization available.
- Flotation foam & most fit out parts available, check catalogue for pricing.
- HIN number engraved in kit & registered.

Note: Layout can be customised by owner
Owner Advised to provide sun protection

AUSTRALIAN BUILDERS PLATE

BUILDER "YOUR NAME"

HIN AU- "SEE REGISTRATION"

Max 7 = 170 hp

275 kg

Max 6 = 540 kg

Max 7 + 7 + 7 = 850 kg

Buoyancy BASIC Flotation

Alteration of the boat's hull or permanent fittings may invalidate the particulars on this plate.

A REDUCTION IN MAXIMUM NUMBER OF PERSONS MUST BE MADE IN ADVERSE WEATHER CONDITIONS OR WHEN ON THE OPEN SEA.

5.4 SKI



PLATE ALLOY

www.platealloy.com

