

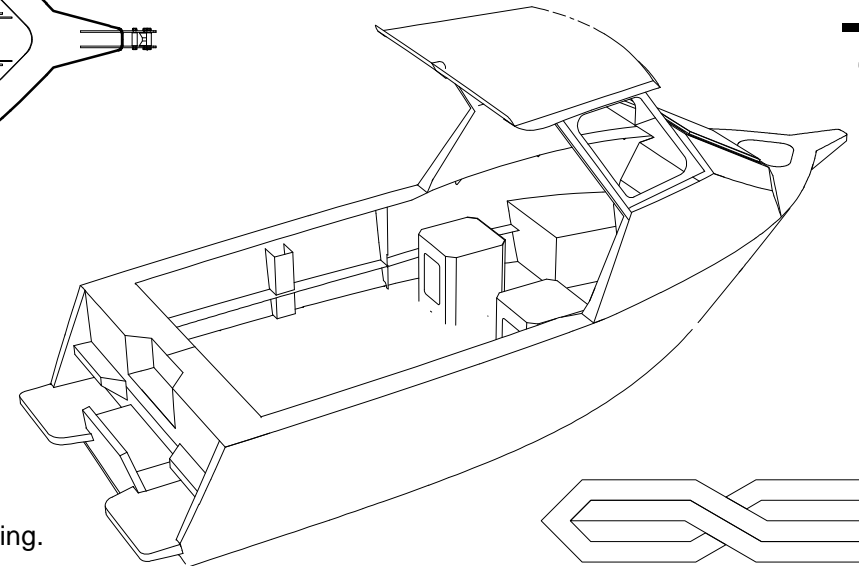
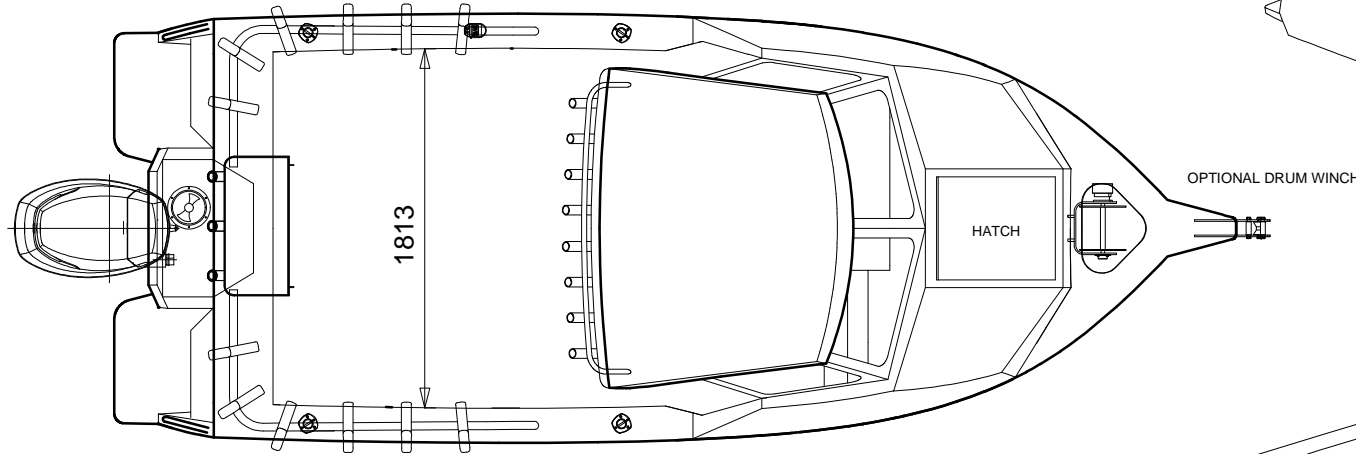
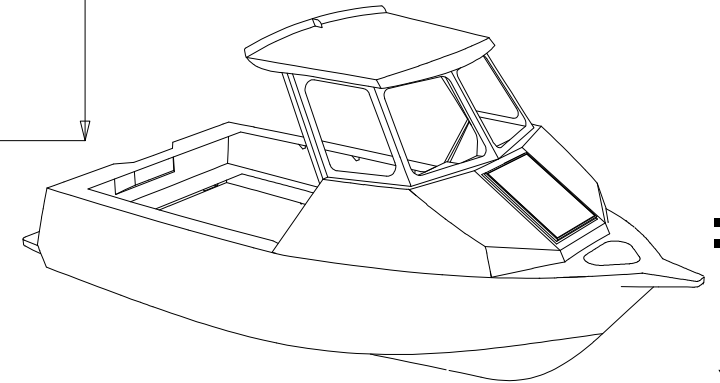
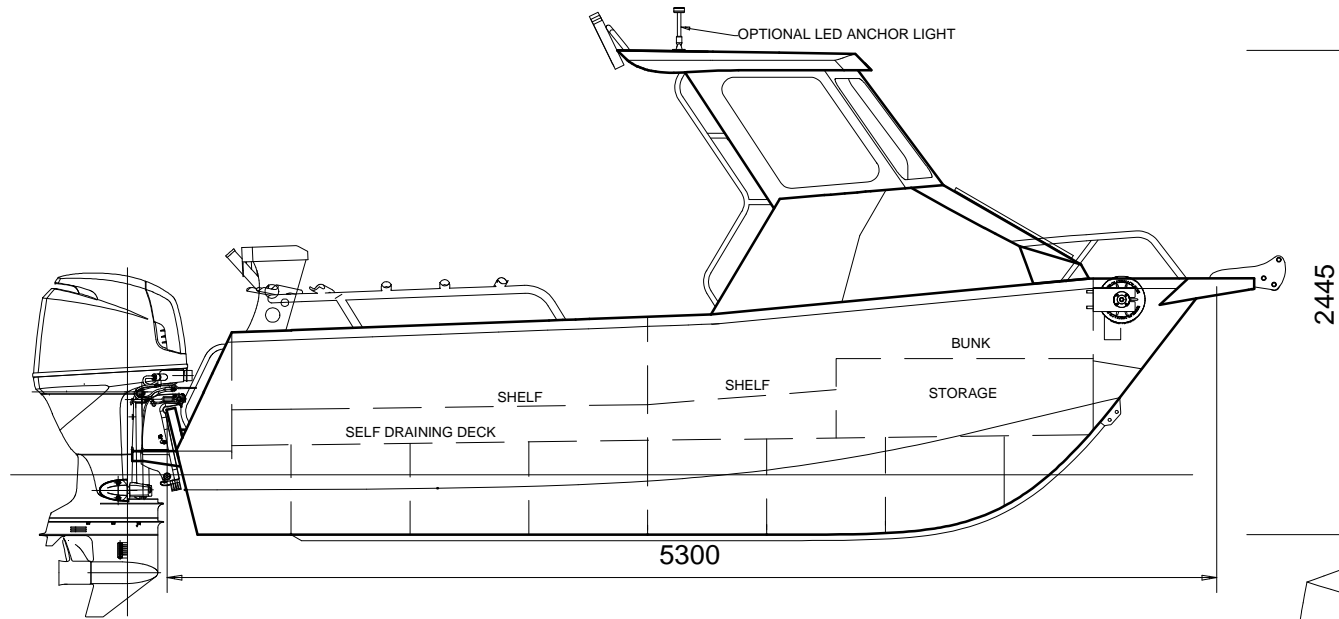
5.3m XTRA CAB

GENERAL ARRANGEMENT

PRINCIPAL PARTICULARS

LOA: 5.80 m (Hull Only)
 BEAM: 2.25m
 DEPTH: 1.03m
 DRAFT: 0.275m (HULL)
 D/RISE: 16° @ TRAN.
 DISPL: 950kg DRY -w- 90HP

Boat hull to be foam filled.



www.platealloy.com

○ AUSTRALIAN BUILDERS PLATE ○

BUILDER "YOUR NAME"

HIN AU- "SEE REGISTRATION"

Max 125 hp
 Max 220 kg

Max 5 400 kg

Max 700 kg

Buoyancy BASIC Flotation

Alteration of the boat's hull or permanent fittings may invalidate the particulars on this plate.

A REDUCTION IN MAXIMUM NUMBER OF PERSONS MUST BE MADE IN ADVERSE WEATHER CONDITIONS OR WHEN ON THE OPEN SEA.

- Design in compliance with AS1799-1 2009
- Structure in accordance with ISO 12215
- Entire kit 4mm 5083 aluminium.
- Builders plate, Jig, Drawings & Photo CD included with kit.
- Bollards, Scuppers, Inspection port & Drain plug included in the kit.
- 5 days per week helpdesk available
- Customization available.
- Flotation foam & most fit out parts available, check catalogue for pricing.
- HIN number engraved in kit & and registered.

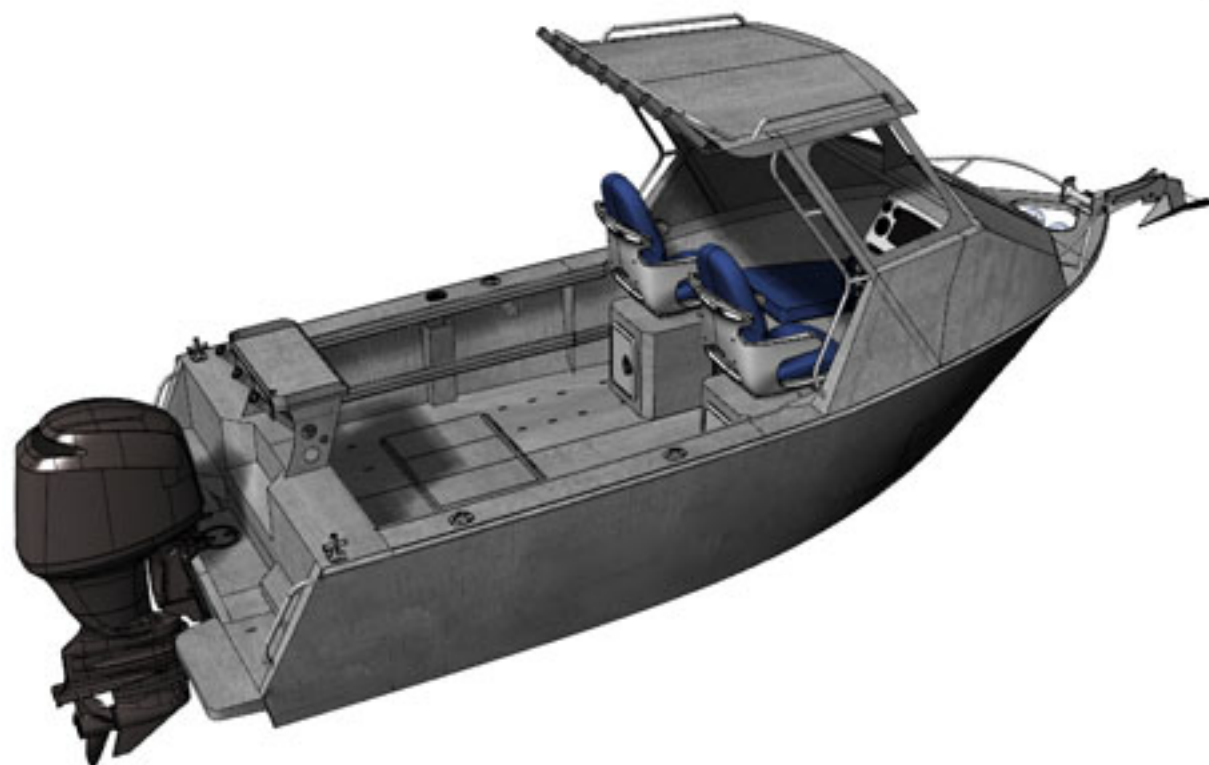
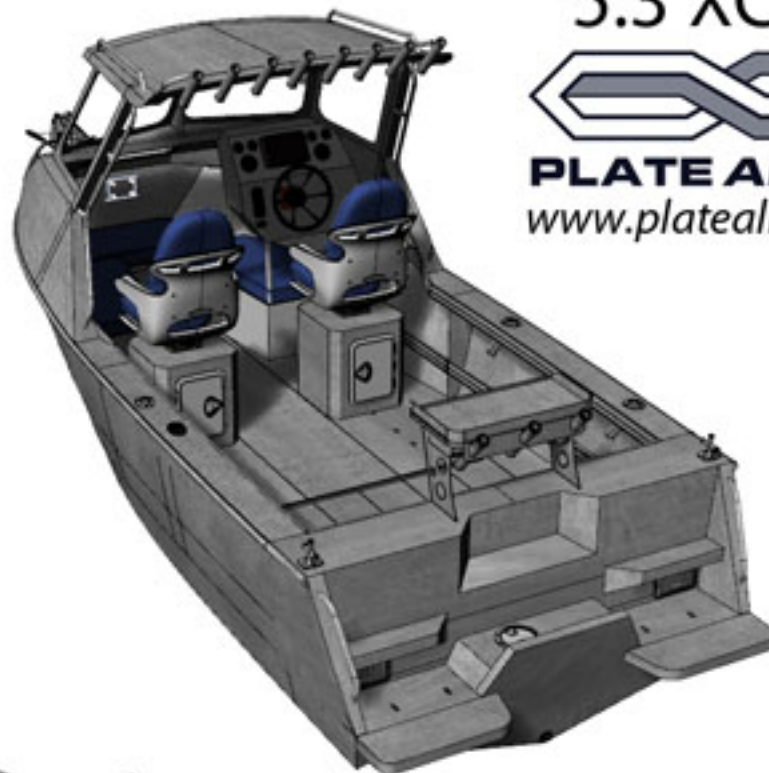


5.3 XCAB



PLATE ALLOY

www.platealloy.com



Optional rear door.

Different Console Option available, Custom change include casting deck option.



5.3 XCAB



PLATE ALLOY

www.platealloy.com

