

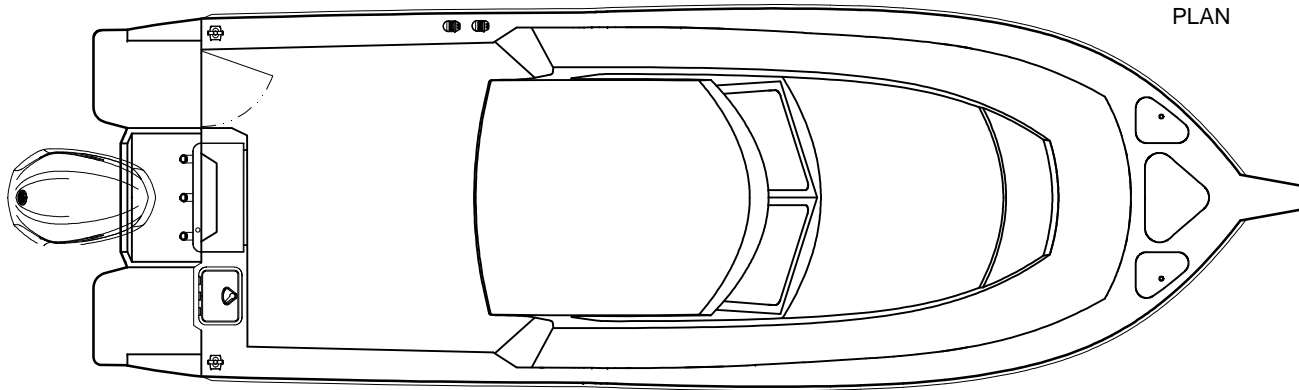
# 7.4m WALK AROUND 2017

## GENERAL ARRANGEMENT

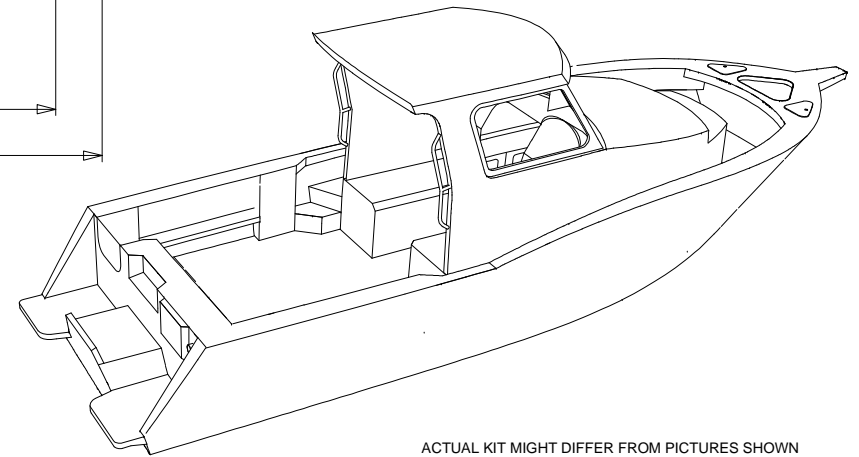
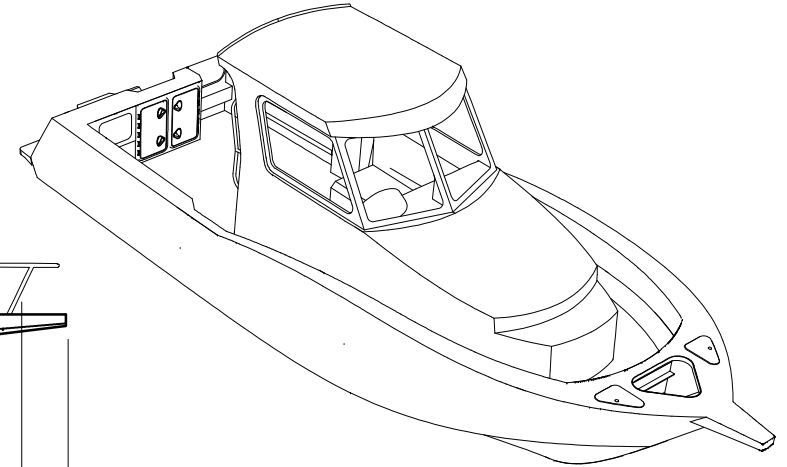
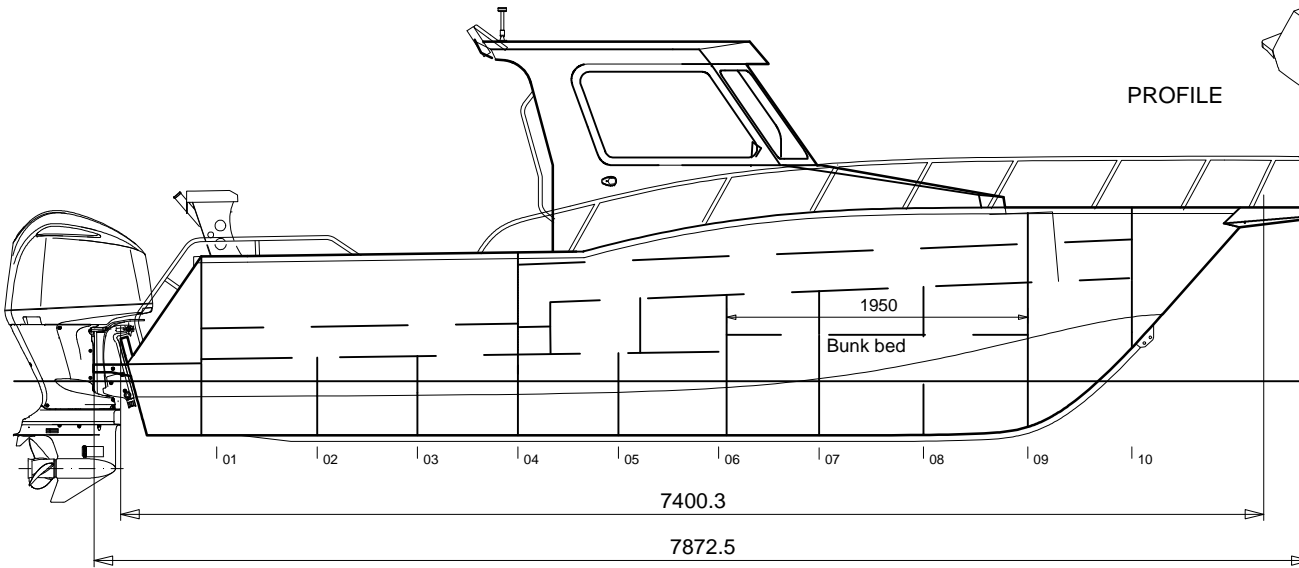
### PRINCIPAL PARTICULARS

LOA	7.70 metres
LOH	7.40 metres
Lwl	6.32 metres
Beam (Hull Only)	2.45 metres
Design Draft	0.40 metres
Displacement (Dry)	2.0 tonnes
Height above keel	2.5 metres
Deck to Gunwale (min)	0.67 metres

PLAN



PROFILE



ACTUAL KIT MIGHT DIFFER FROM PICTURES SHOWN

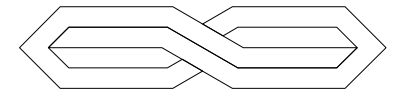


PLATE ALLOY

www.platealloy.com

- Design in compliance with AS1799-1 2009
- Structure in accordance with ISO 12215
- Material:
  - Bottom, Chine, Transom & Stringers, 6mm 5083 aluminium.
  - Sides, Deck, & Coachroof Shelves etc. 4mm 5083 Aluminium
  - Wheel house 3mm Aluminium
- Builders plate, Jig, Drawings & Photo CD included with kit.
- Bollards, Scuppers, Inspection port & Drain plug included in the kit.
- 5 days per week helpdesk available
- Customization available.
- Flotation foam & most fit out parts available, check catalogue for pricing.
- HIN number engraved in kit & registered.

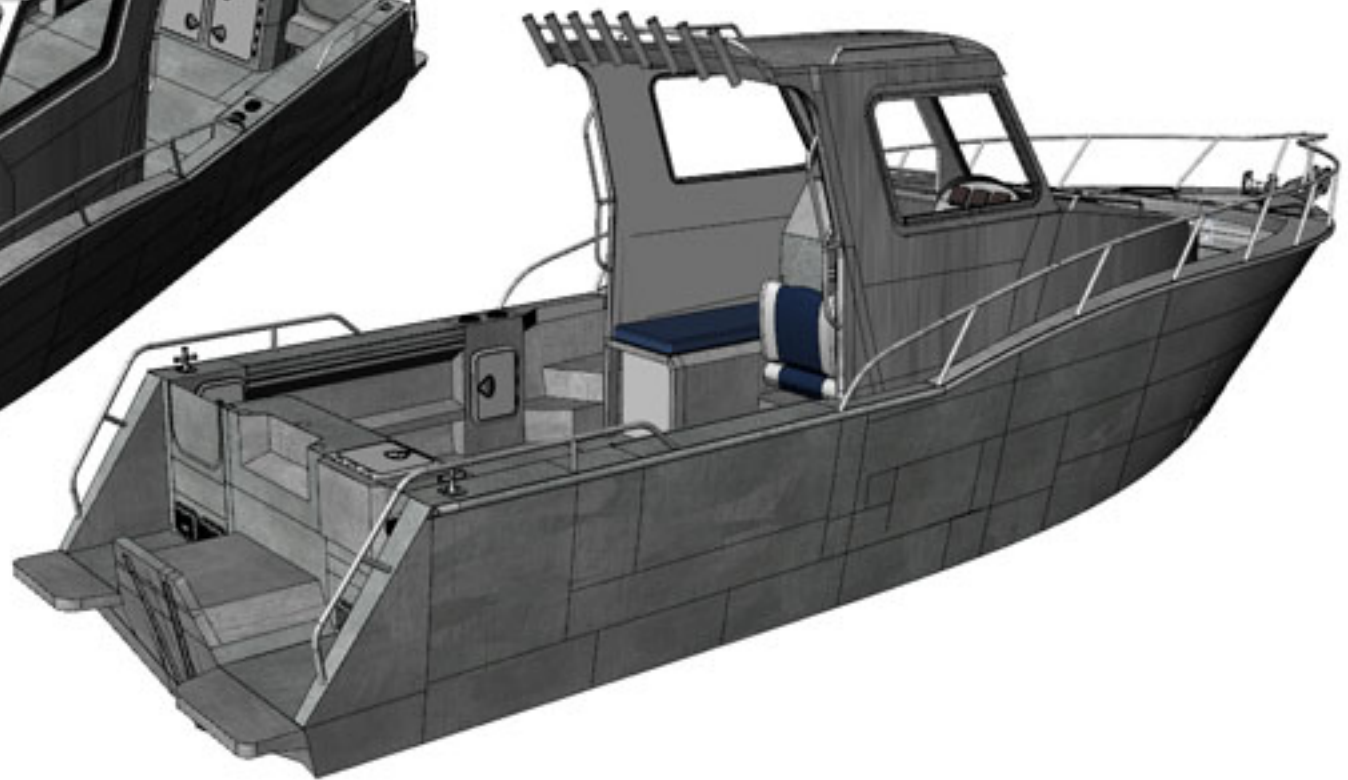
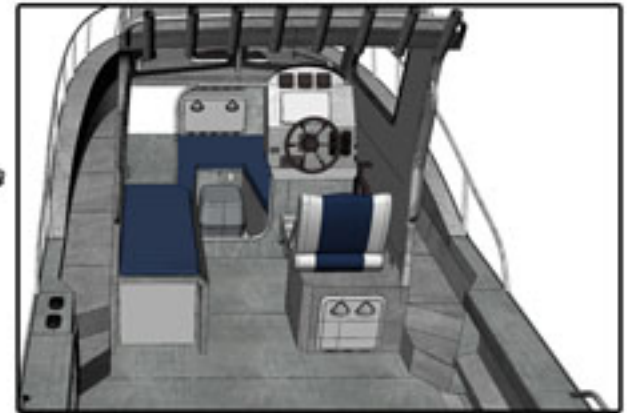
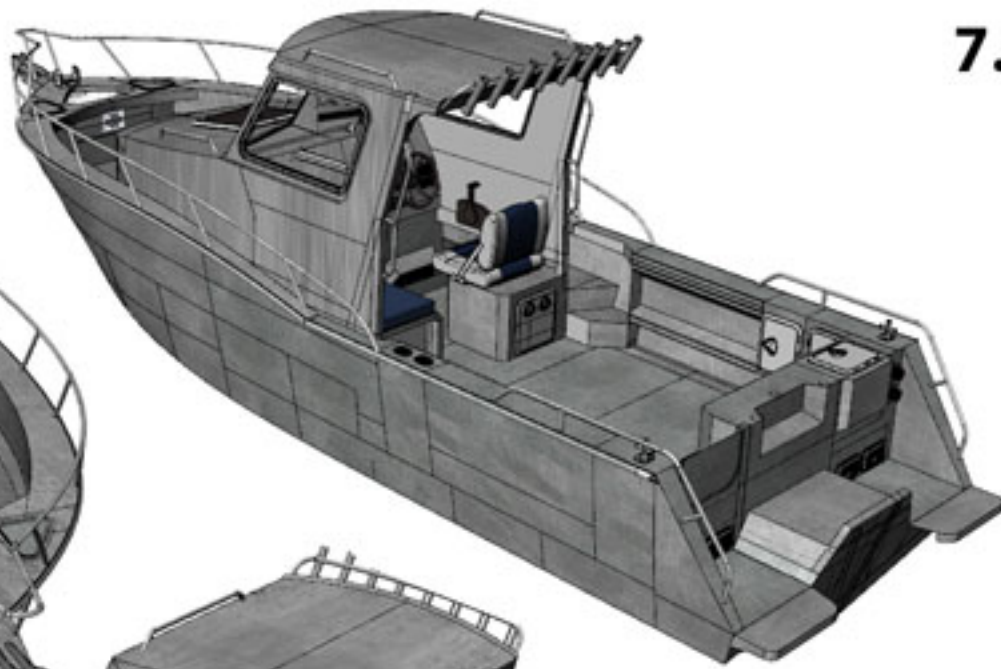
AUSTRALIAN BUILDERS PLATE	
BUILDER	"YOUR NAME"
HIN AU	"SEE REGISTRATION"
Max	335 hp
	325 kg
Max	7
	630 kg
Max	1000 kg
Buoyancy BASIC Flotation	
Alteration of the boat's hull or permanent fittings may invalidate the particulars on this plate.	
A REDUCTION IN MAXIMUM NUMBER OF PERSONS MUST BE MADE IN ADVERSE WEATHER CONDITIONS OR WHEN ON THE OPEN SEA.	

# 7.4 x 2.5 WALK AROUND



**PLATE ALLOY**

[www.platealloy.com](http://www.platealloy.com)



# 7.4 x 2.5 WALK AROUND



**PLATE ALLOY**  
[www.platealloy.com](http://www.platealloy.com)

