

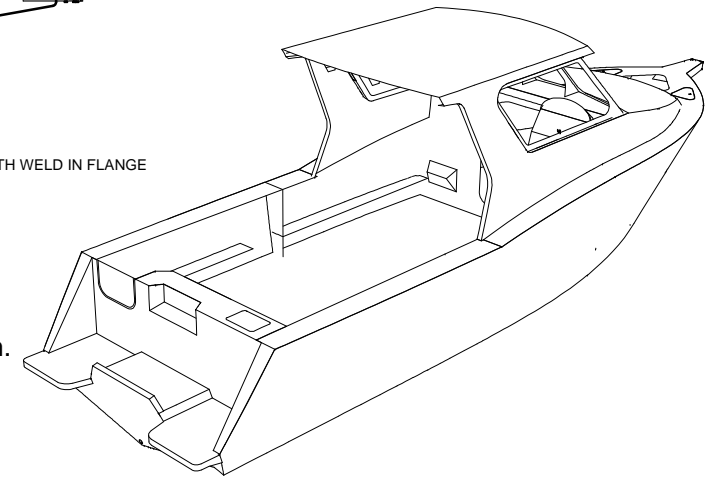
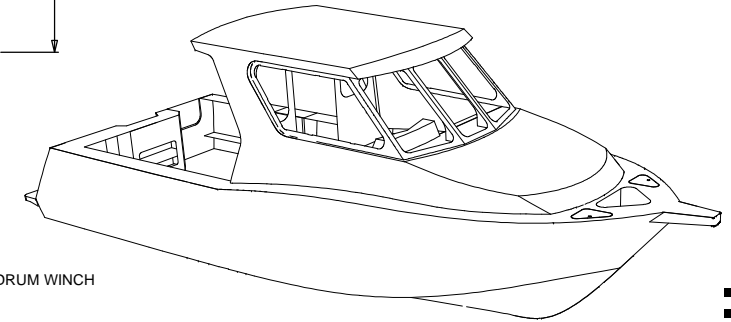
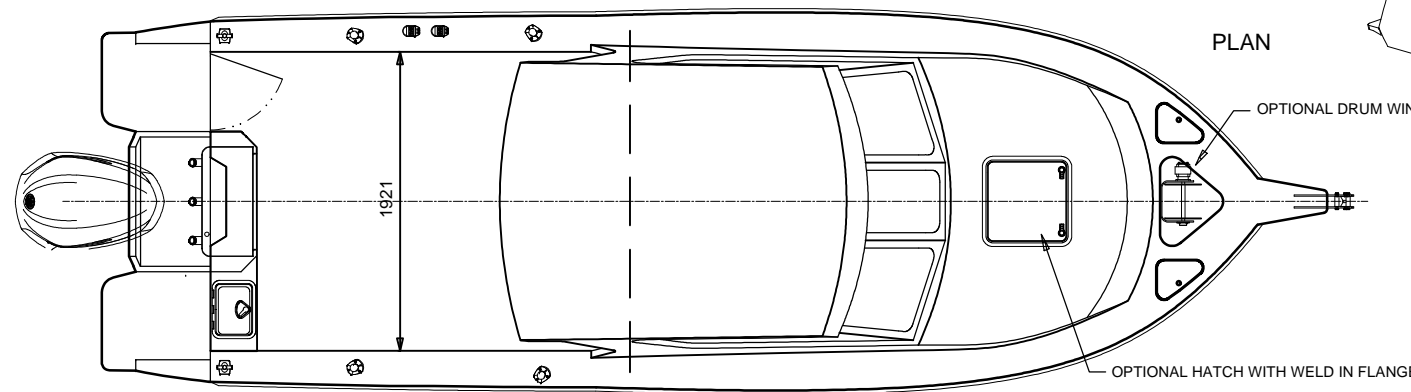
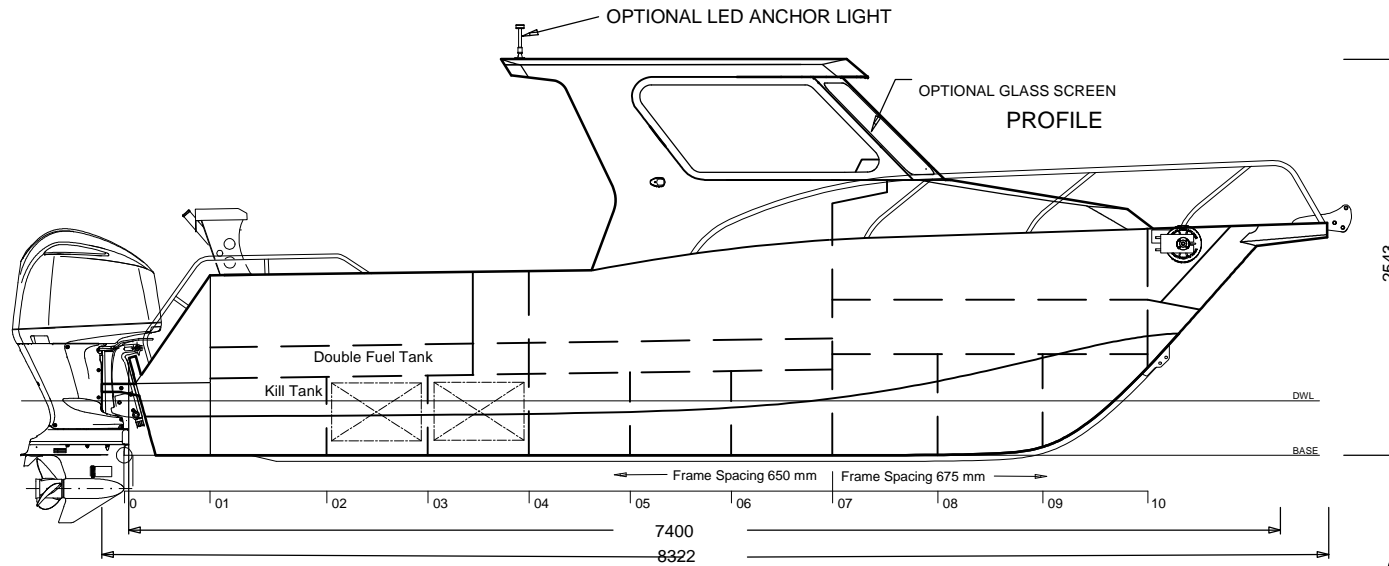
7.4m HARD TOP -2018

GENERAL ARRANGEMENT

PRINCIPAL PARTICULARS

LOA	7.70 metres
LOH	7.40 metres
Lwl	6.32 metres
Beam(Hull Only)	2.45 metres
Design Draft	0.40 metres
Displacement (Dry)	2.0 tonnes
Height above keel	2.5 metres
Deck to Gunwale (min)	0.67 metres

ENGINE 200 HP RECOMENDED, 250 MAX
6 PAX MAX.



ACTUAL KIT MIGHT DIFFER FROM PICTURES SHOWN

www.platealloy.com

Note: Layout can be customised by owner

AUSTRALIAN BUILDERS PLATE	
BUILDER	"YOUR NAME"
HIN AU	"SEE REGISTRATION"
Max	250 hp
	300 kg
Max	6
	480 kg
Max	1000 kg
Buoyancy	BASIC Flotation
<p>⚠ Alteration of the boat's hull or permanent fittings may invalidate the particulars on this plate.</p> <p>A REDUCTION IN MAXIMUM NUMBER OF PERSONS MUST BE MADE IN ADVERSE WEATHER CONDITIONS OR WHEN ON THE OPEN SEA.</p>	

- Design in compliance with AS1799-1 2009
- Structure in accordance with ISO 12215
- Material:
 - Bottom, Chine, Transom & Stringers, 6mm 5083 aluminium.
 - Sides, Deck, Shelves etc. 4mm 5083 aluminium
 - Wheel house & Coachroof 3mm 5083 aluminium
- Builders plate, Jig, Drawings & Photo CD included with kit.
- Bollards, Scuppers, Inspection port & Drain plug included in the kit.
- 5 days per week helpdesk available
- Customization available.
- Flotation foam & most fit out parts available, check catalogue for pricing.
- HIN number engraved in kit & registered.

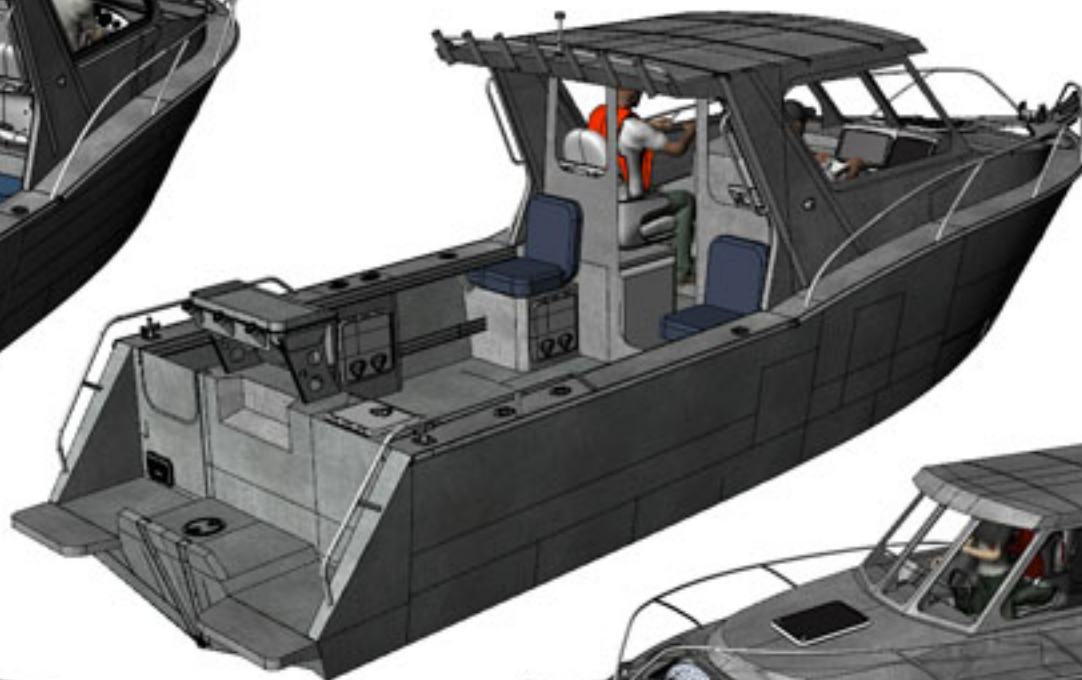
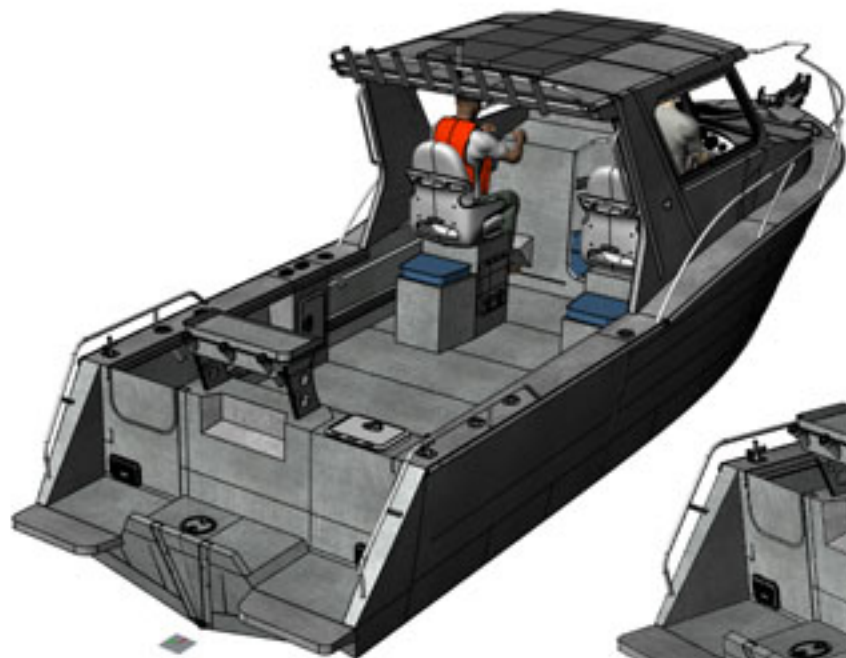


7.4 HARD TOP



PLATE ALLOY

www.platealloy.com





7.4 HARD TOP



PLATE ALLOY
www.platealloy.com



7.4 HARD TOP - INBOARD



PLATE ALLOY
www.platealloy.com

