

6.8m CUDDY CABIN

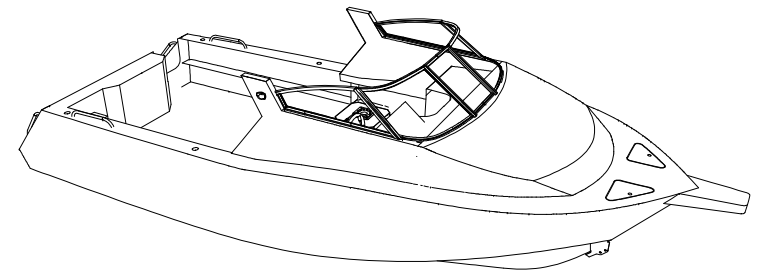
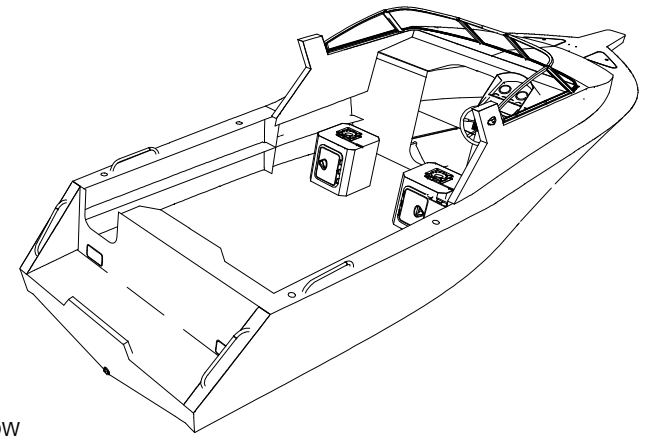
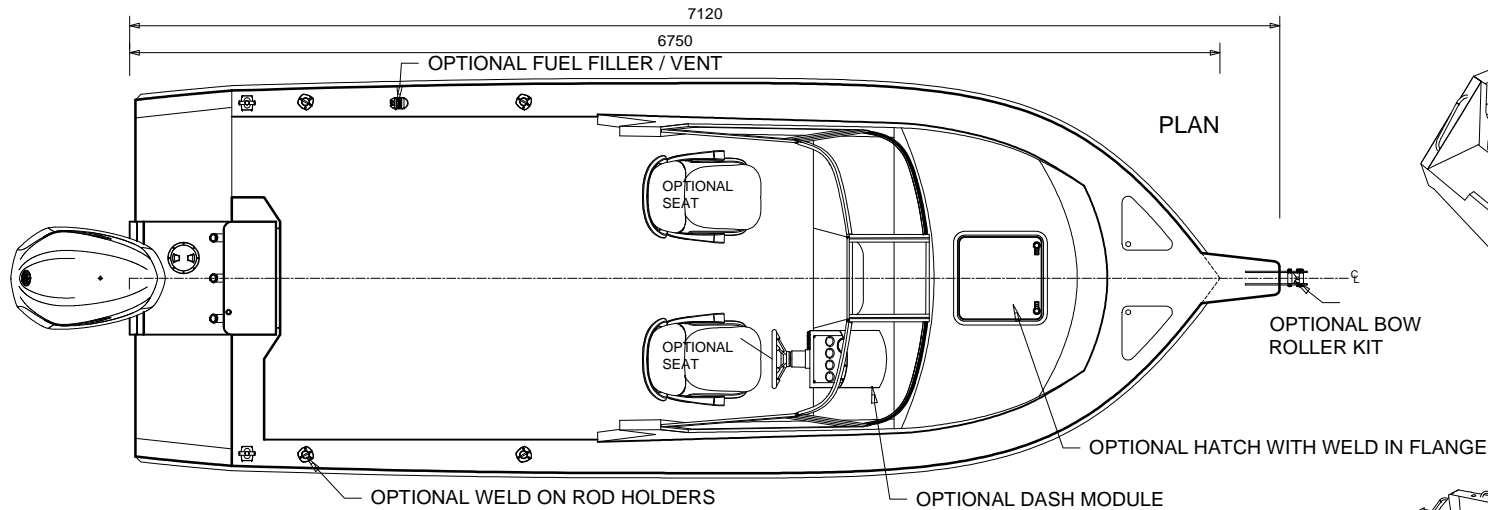
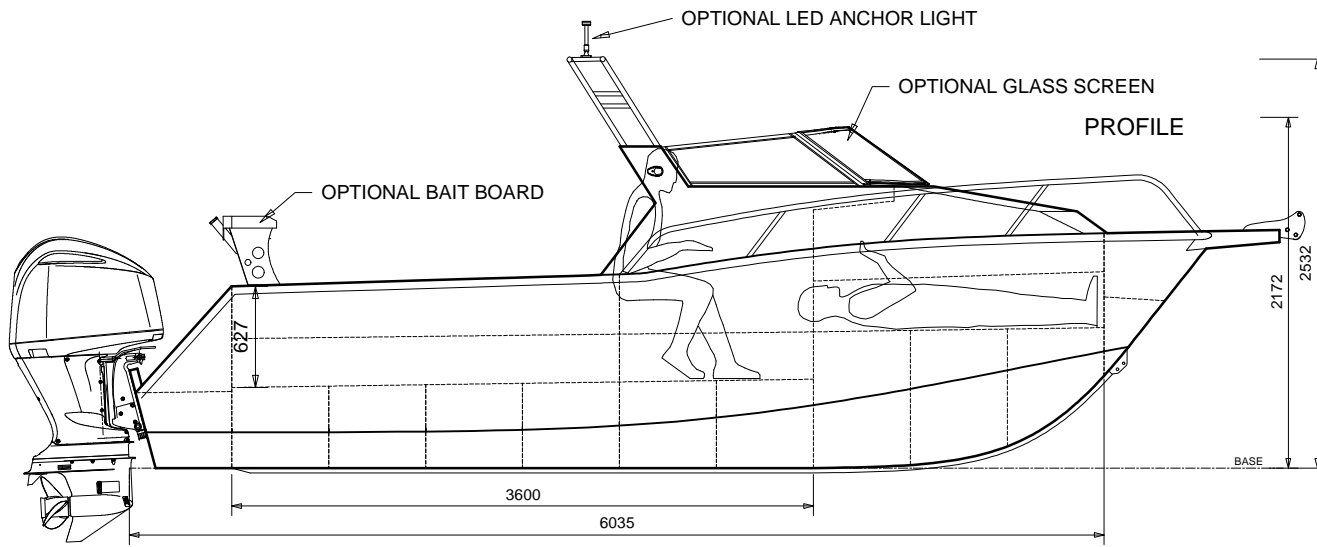
GENERAL ARRANGEMENT

PRINCIPAL PARTICULARS

LENGTH OVER ALL: 7.17m
 LENGTH HULL: 6.80m
 BEAM: 2.45m
 DEPTH: 1.12m
 DRAFT: 0.38m
 DEADRISE: 16 degrees
 DISPLACEMENT: 1.80 tonnes
 RECOMMENDED POWER: 175 hp
 MAXIMUM POWER: 225 hp

Boat hull to be foam filled.

Note: Layout can be customised by owner
 Owner Advised to provide sun protection



ACTUAL KIT MIGHT DIFFER FROM PICTURES SHOWN

AUSTRALIAN BUILDERS PLATE	
BUILDER	*YOUR NAME*
HIN AU	*SEE REGISTRATION*
Max	180 hp
	275 kg
Max	5
Max	739 kg
Buoyancy	BASIC Flotation
<p>⚠ Alteration of the boat's hull or permanent fittings may invalidate the particulars on this plate.</p> <p>A REDUCTION IN MAXIMUM NUMBER OF PERSONS MUST BE MADE IN ADVERSE WEATHER CONDITIONS OR WHEN ON THE OPEN SEA.</p>	

- Design in compliance with AS1799-1 2009
- Structure in accordance with ISO 12215
- Material:
 - Bottom, Chine, Transom & Stringers, 5mm 5083 aluminium.
 - Sides, Deck, Cuddy, etc. 4mm 5083 Aluminium
- Builders plate, Jig, Drawings & Photo CD included with kit.
- Bollards, Scuppers, Inspection port & Drain plug included in the kit.
- 5 days per week helpdesk available
- Customization available.
- Flotation foam & most fit out parts available, check catalogue for pricing.
- HIN number engraved in kit & registered.

www.platealloy.com

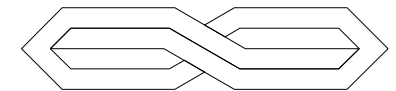


PLATE ALLOY



6.8 CUDDY CAB



PLATE ALLOY

www.platealloy.com





6.8 CUDDY CAB



PLATE ALLOY
www.platealloy.com