

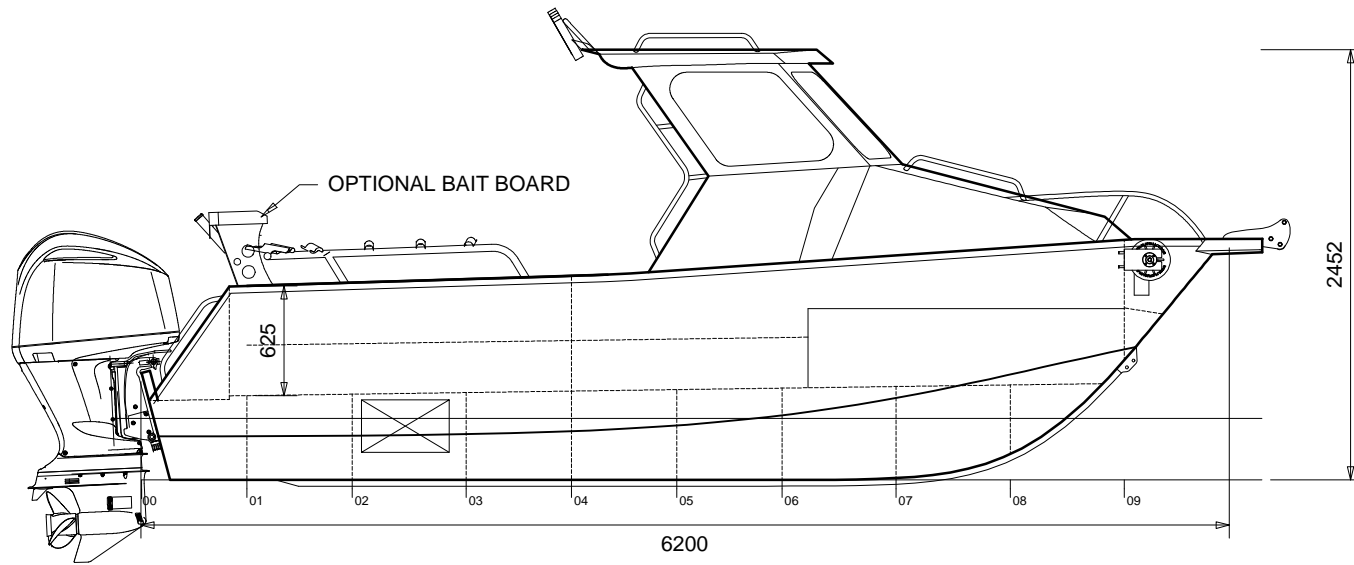
6.2m XCAB

GENERAL ARRANGEMENT

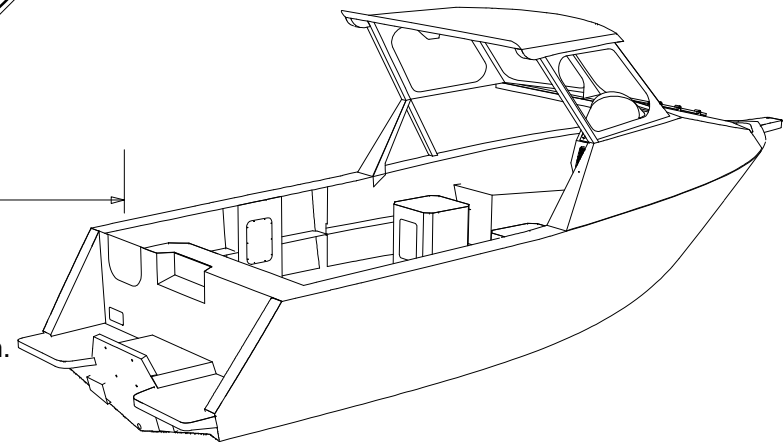
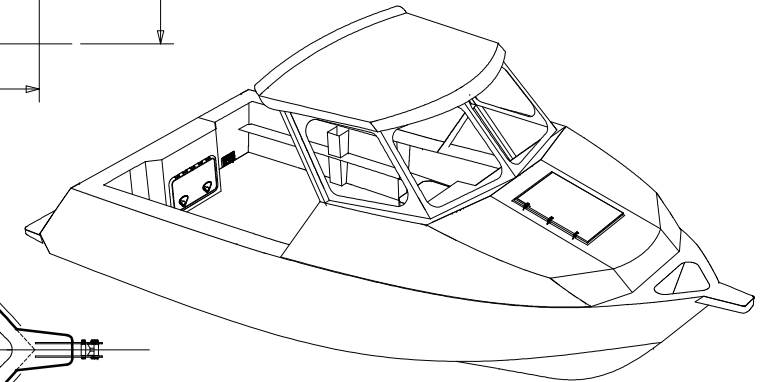
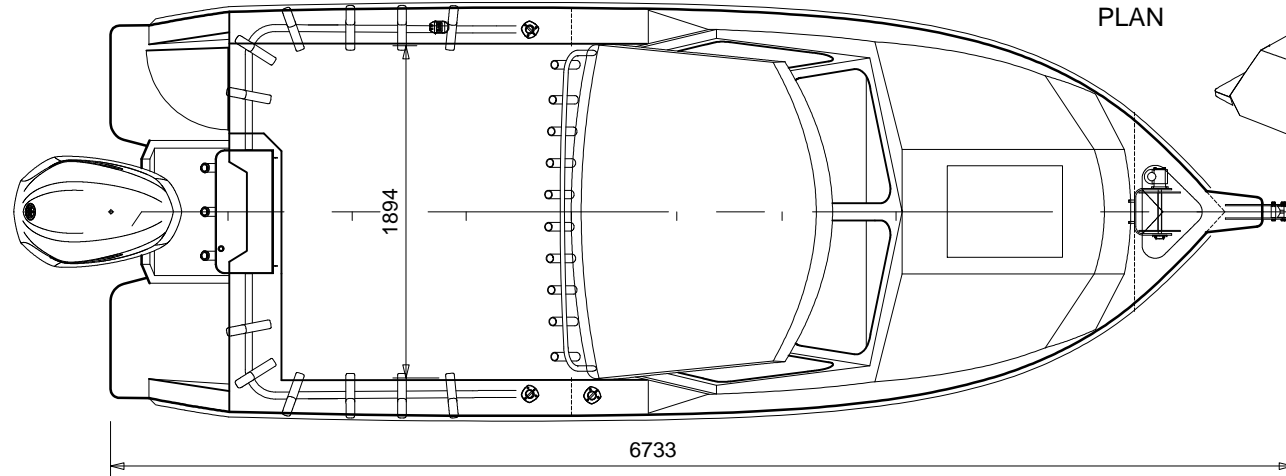
PRINCIPAL PARTICULARS

LOH:	6.20 m (Hull Only)
BEAM:	2.35m
DEPTH:	1.11m
DRAFT:	0.350m (HULL)
D/RISE:	16° @ TRAN.
DISPL:	1500kg DRY -w- 150HP

Boat hull to be foam filled.



PLAN



ACTUAL KIT MIGHT DIFFER FROM PICTURES SHOWN

www.platealloy.com

Note: Layout can be customised by owner
Owner Advised to provide sun protection

AUSTRALIAN BUILDERS PLATE

BUILDER "YOUR NAME"

HIN AU "SEE REGISTRATION"

Max = 180 hp

Max = 275 kg

Max 5 = 400 kg

Max = 739 kg

Buoyancy BASIC Flotation

Alteration of the boat's hull or permanent fittings may invalidate the particulars on this plate.

A REDUCTION IN MAXIMUM NUMBER OF PERSONS MUST BE MADE IN ADVERSE WEATHER CONDITIONS OR WHEN ON THE OPEN SEA.

- Design in compliance with AS1799-1 2009
- Structure in accordance with ISO 12215
- material: ~~Sides, Deck, Transom & Stringers~~, 5mm 5083 aluminium.
- Builders plate, Jig, Drawings & Photo CD included with kit.
- Bollards, Scuppers, Inspection port & Drain plug included in the kit.
- 5 days per week helpdesk available
- Customization available.
- Flotation foam & most fit out parts available, check catalogue for pricing.
- HIN number engraved in kit & registered.

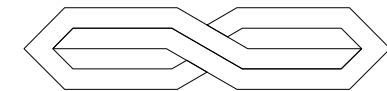


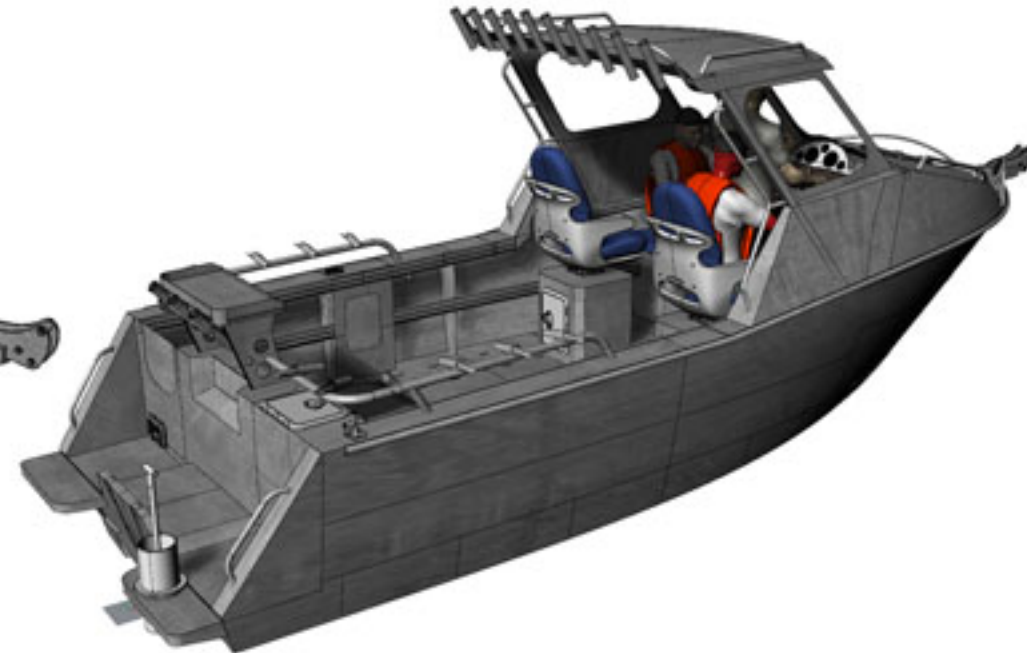
PLATE ALLOY

6.2 XCAB



PLATE ALLOY

www.platealloy.com





6.2 XCAB



PLATE ALLOY
www.platealloy.com