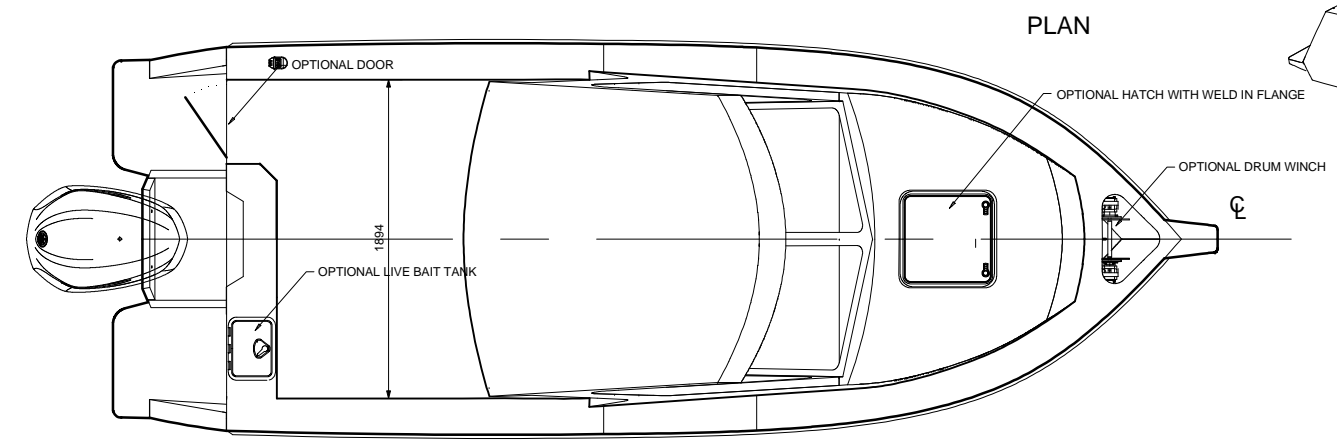
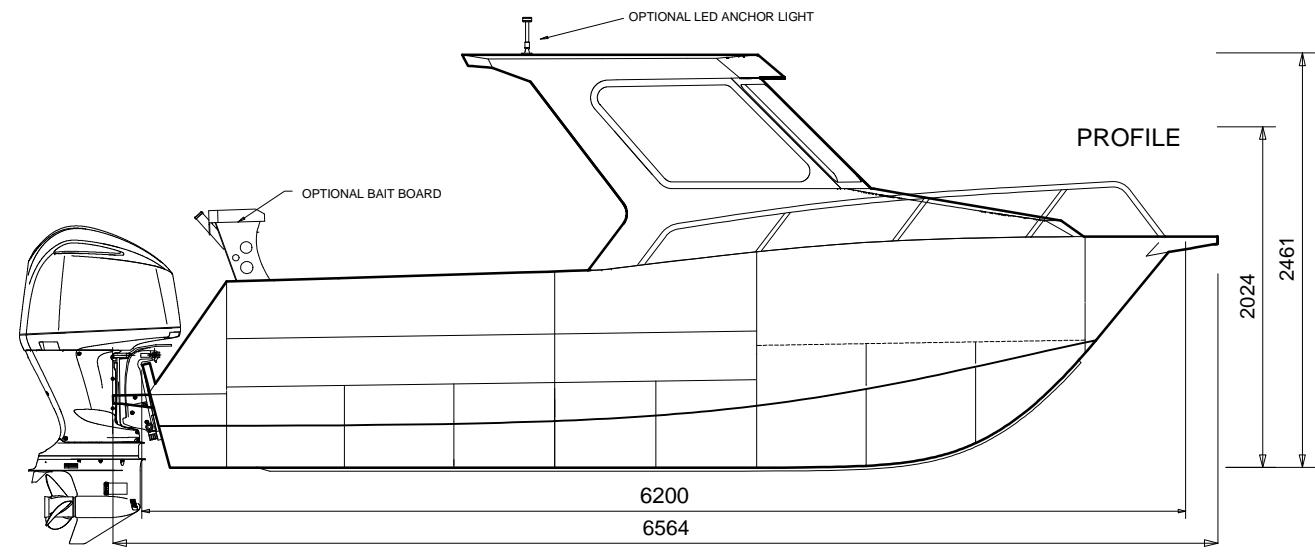
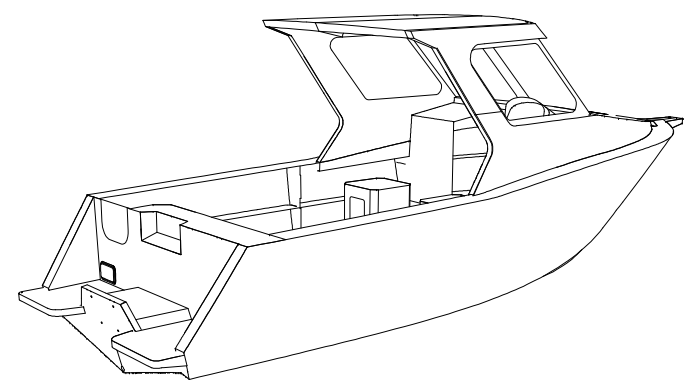
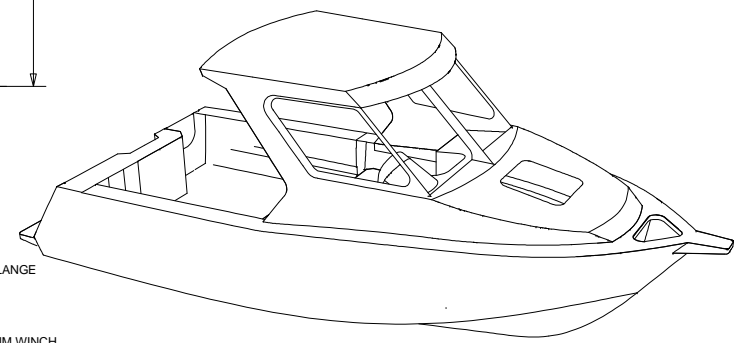


6.2m HARD TOP 2017 GENERAL ARRANGEMENT

PRINCIPAL PARTICULARS

LOH:	6.20 m (Hull Only)
BEAM:	2.35m
DEPTH:	1.11m
DRAFT:	0.350m (HULL)
D/RISE:	16° @ TRAN.
DISPL:	1650kg DRY -w- 150HP

Boat hull to be foam filled.



- Design in compliance with AS1799-1 2009
- Structure in accordance with ISO 12215
- material: - ~~Bottom Deck Gunwales & Stringers, 5mm 5083 aluminium.~~
5083 Aluminium Wheelhouse, 3mm 5083 Aluminium
- Builders plate, Jig, Drawings & Photo CD included with kit.
- Bollards, Scuppers, Inspection port & Drain plug included in the kit.
- 5 days per week helpdesk available
- Customization available.
- Flotation foam & most fit out parts available, check catalogue for pricing.
- HIN number engraved in kit & and registered.

ACTUAL KIT MIGHT DIFFER FROM PICTURES SHOWN

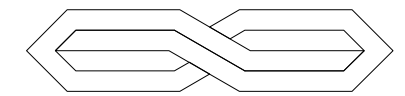


PLATE ALLOY

www.platealloy.com

Note: Layout can be customised by owner
Owner Advised to provide sun protection

AUSTRALIAN BUILDERS PLATE

BUILDER "YOUR NAME"

HIN AU- "SEE REGISTRATION"

Max 7 = 180 hp

Max 5 = 275 kg

Max 5 = 400 kg

Max 7 + 5 + 10 = 739 kg

Buoyancy BASIC Flotation

Alteration of the boat's hull or permanent fittings may invalidate the particulars on this plate.

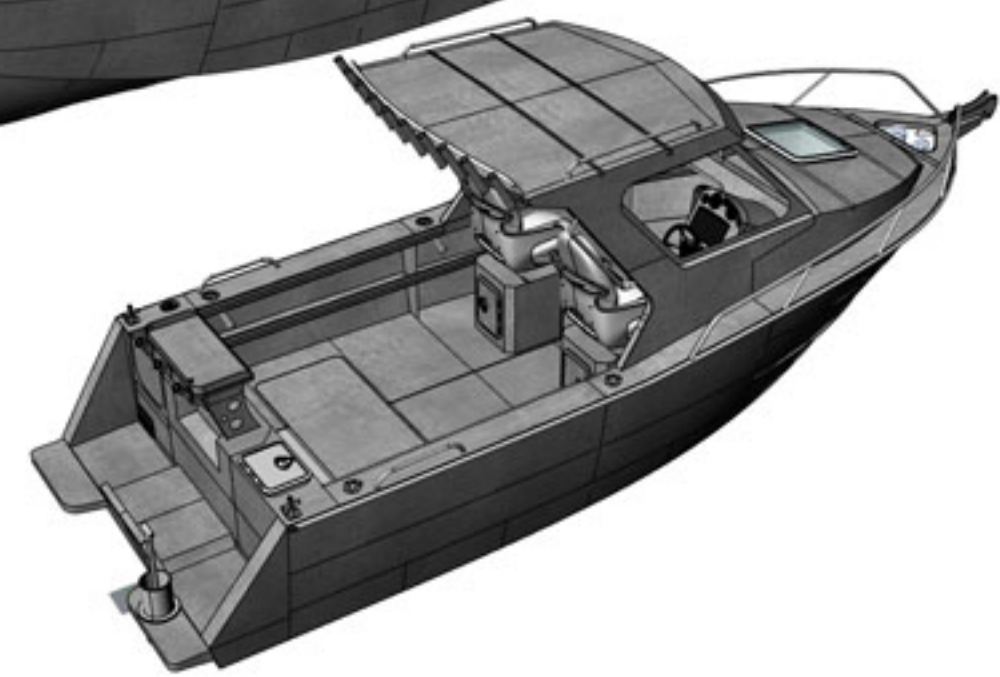
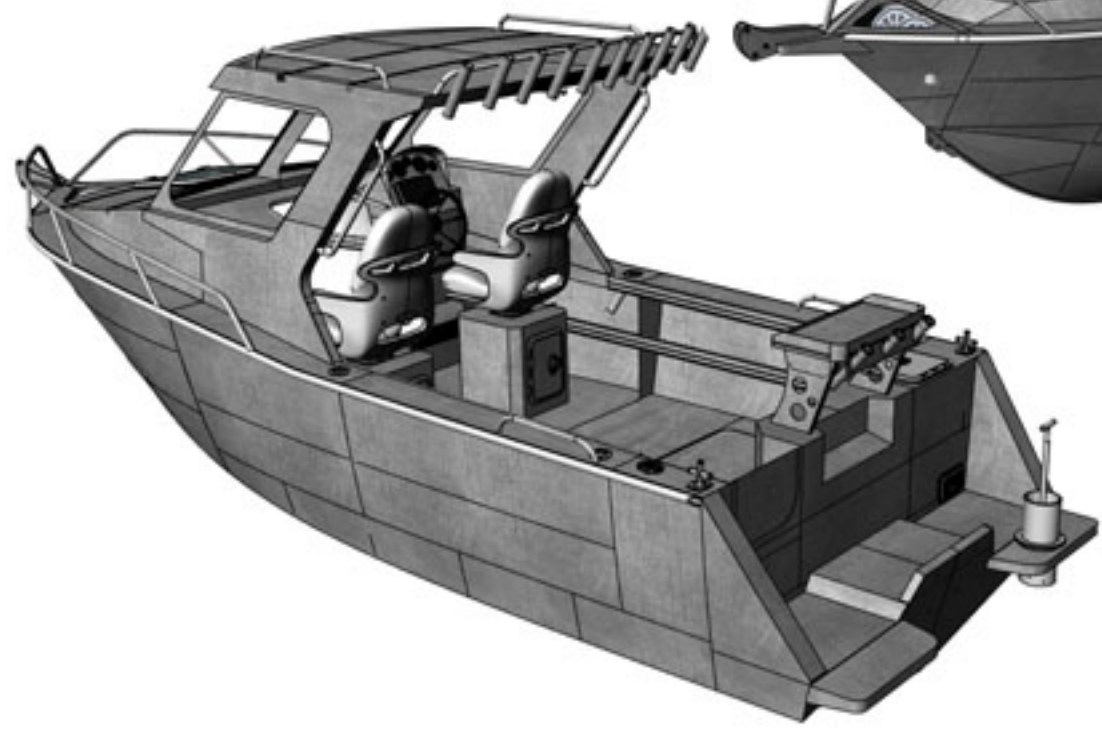
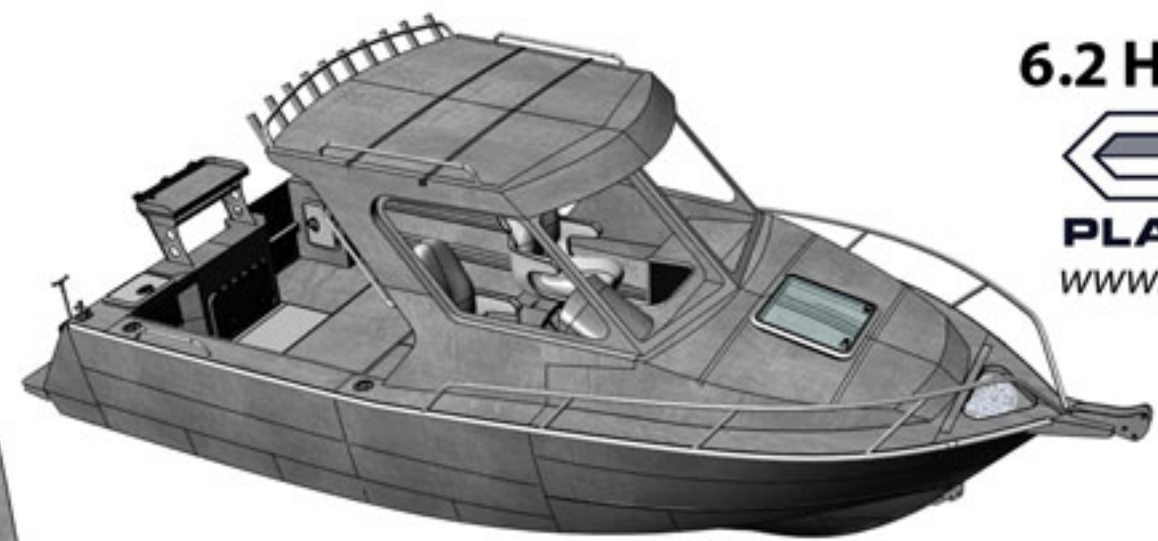
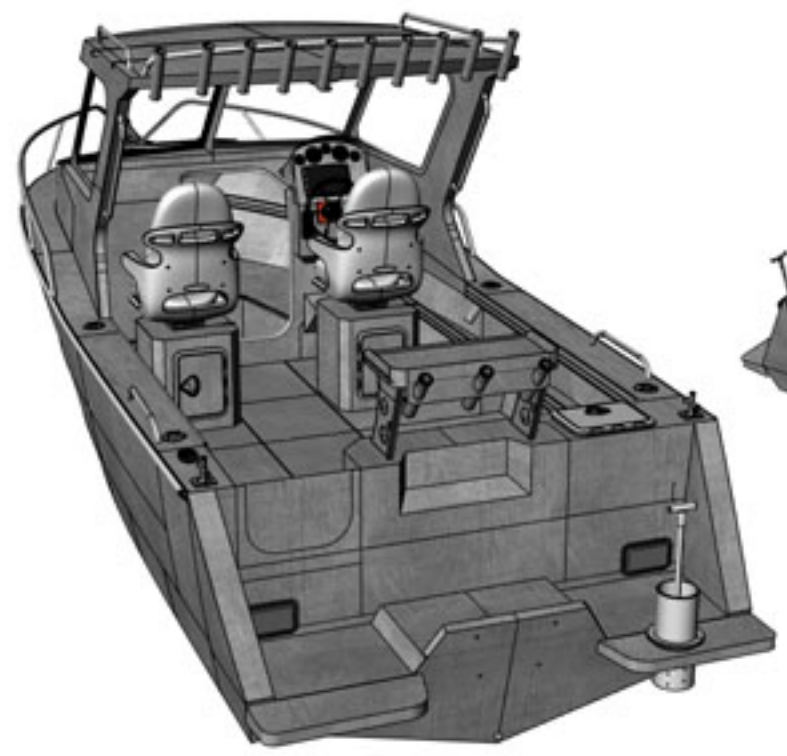
A REDUCTION IN MAXIMUM NUMBER OF PERSONS MUST BE MADE IN ADVERSE WEATHER CONDITIONS OR WHEN ON THE OPEN SEA.

6.2 HARD TOP



PLATE ALLOY

www.platealloy.com





6.2 HARD TOP



PLATE ALLOY

www.platealloy.com



Custom Cabin.

