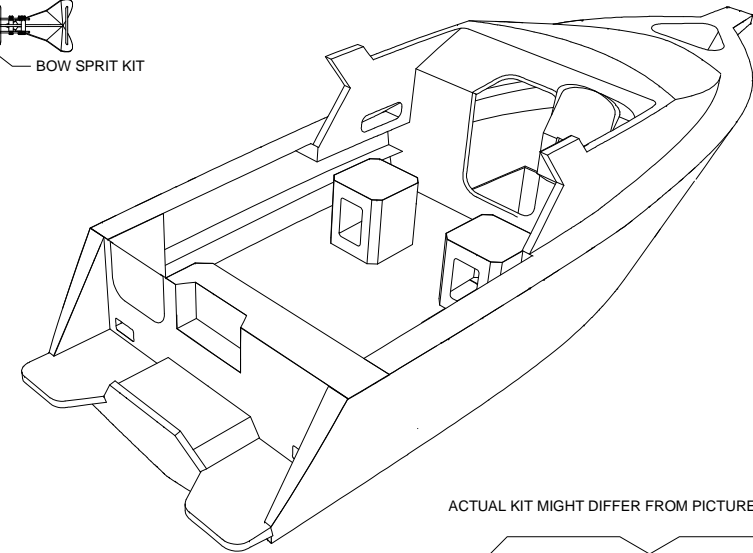
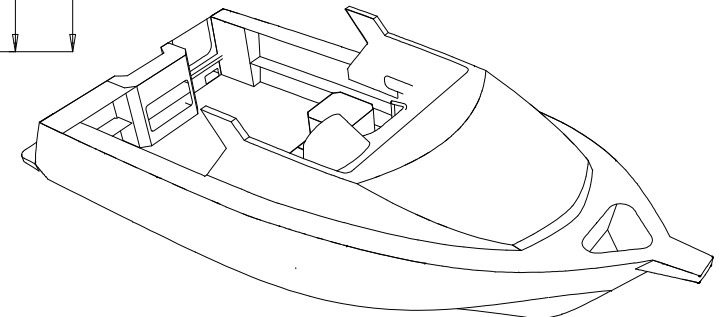
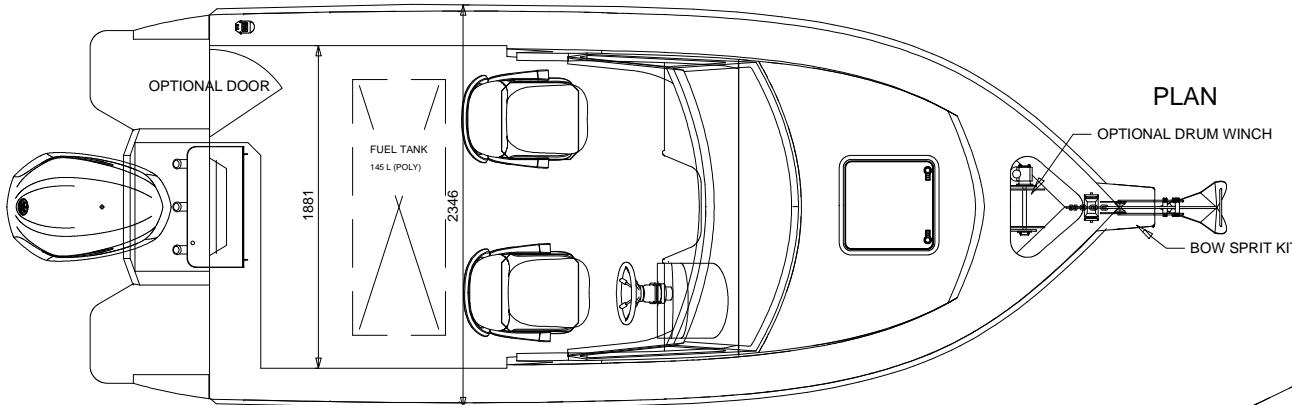
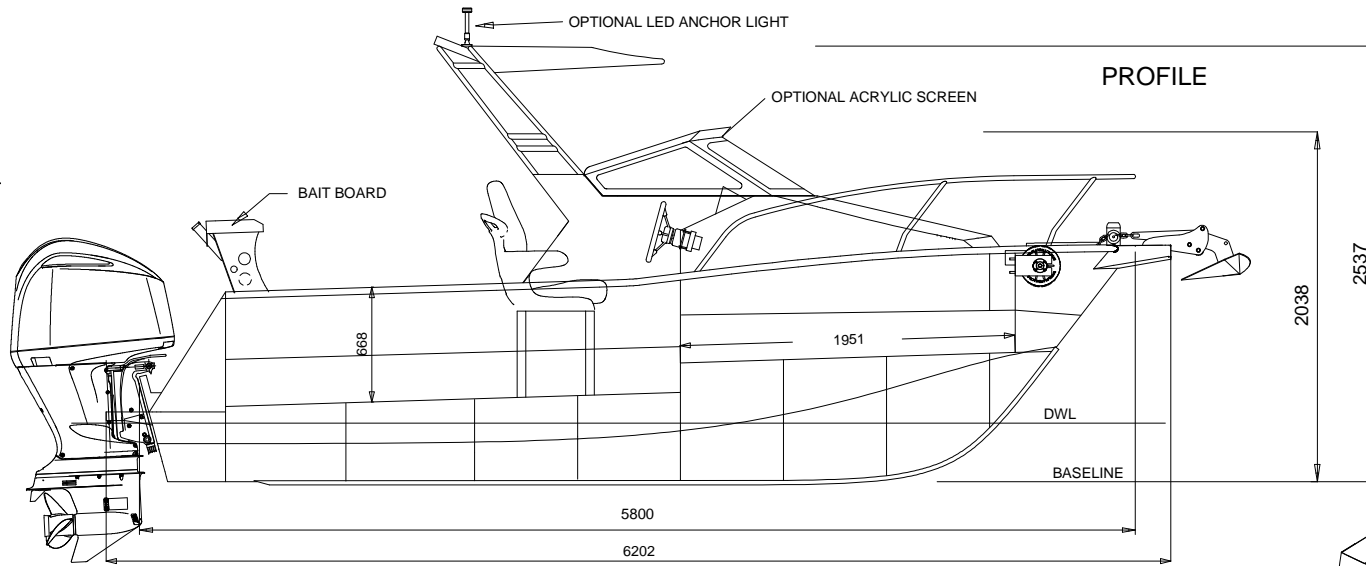


# 5.8m CUDDY CABIN MAXI

## GENERAL ARRANGEMENT

### PRINCIPAL PARTICULARS

LOH: 5.80 m (Hull Only)  
 LOA: 6.12 m (Excluding Outboard)  
 BEAM: 2.35m  
 DRAFT: 0.35m (HULL)  
 D/RISE: 15° @ TRAN.  
 DISPL: 1100kg DRY -w- 150HP  
 ENG: 25" (XL SHAFT)  
 RATED: 170 HP MAX.(150 Hp Rec.)  
 Boat hull to be foam filled.



ACTUAL KIT MIGHT DIFFER FROM PICTURES SHOWN

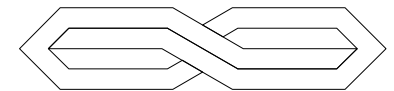


PLATE ALLOY

www.platealloy.com

Note: Layout can be customised by owner  
 Owner Advised to provide sun protection

AUSTRALIAN BUILDERS PLATE

BUILDER "YOUR NAME"

Max 170 hp

Max 250 kg

Max 6 480 kg

Max 880 kg

Buoyancy BASIC Flotation

Alteration of the boat's hull or permanent fittings may invalidate the particulars on this plate.

A REDUCTION IN MAXIMUM NUMBER OF PERSONS MUST BE MADE IN ADVERSE WEATHER CONDITIONS OR WHEN ON THE OPEN SEA.

- Design in compliance with AS1799-1 2009
- Structure in accordance with ISO 12215
- material: - Bottom, Chine, Transom & Stringers, 5mm 5083 aluminium. Sides, Deck, Cuddy, etc. 3mm and 4mm
- Builders plate, Jig, Drawings & Photo CD included with kit.
- Bollards, Scuppers, Inspection port & Drain plug included in the kit.
- 5 days per week helpdesk available
- Customization available.
- Flotation foam & most fit out parts available, check catalogue for pricing.
- HIN number engraved in kit & registered.
- Insurance available, call us for a quote.

# 5.8 CUDDY CAB



**PLATE ALLOY**

[www.platealloy.com](http://www.platealloy.com)

