

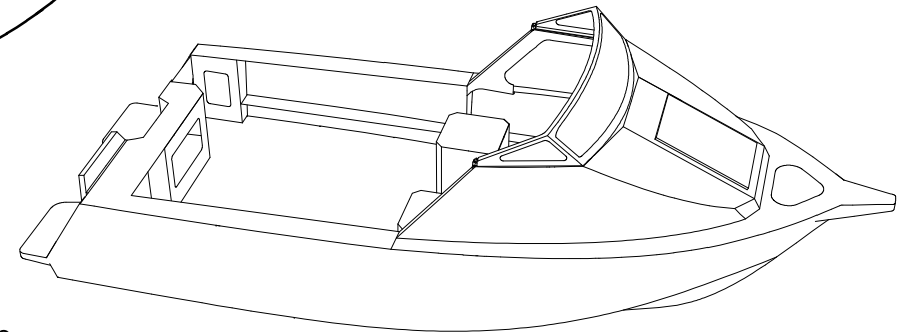
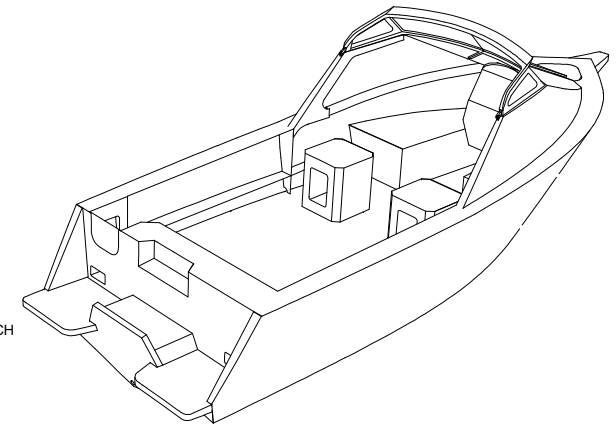
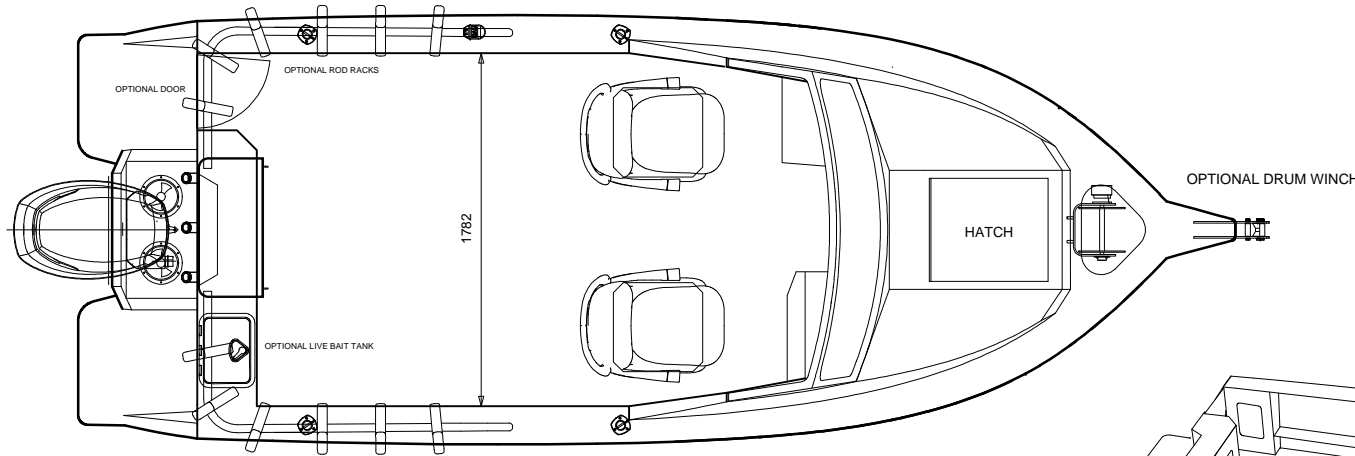
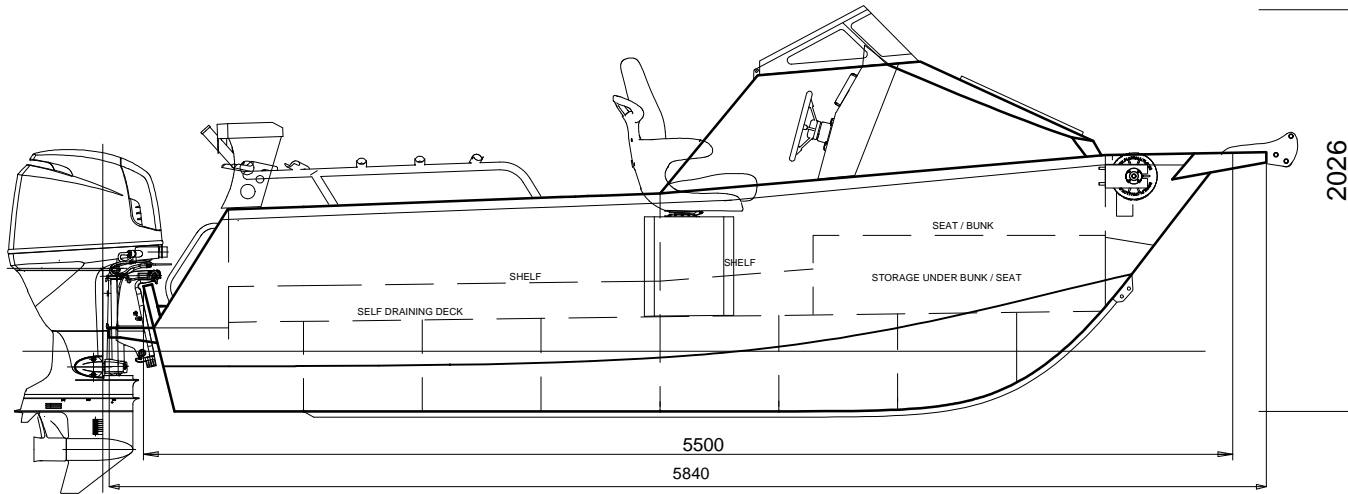
5.5m RUNABOUT

GENERAL ARRANGEMENT

PRINCIPAL PARTICULARS

LOA:	5.85 m (Hull Only)
BEAM:	2.25m
DEPTH:	1.33m
DRAFT:	0.275m (HULL)
D/RISE:	16° @ TRAN.
DISPL:	1000kg DRY -w- 115HP

Boat hull to be foam filled.



www.platealloy.com

ABP DATA T.B.C.

AUSTRALIAN BUILDERS PLATE

BUILDER "YOUR NAME"

HIN AU- "SEE REGISTRATION"

Max \uparrow \equiv 125 hp

\equiv 220 kg

Max \uparrow 5 \equiv 400 kg

Max \uparrow \uparrow \uparrow \uparrow \uparrow \equiv 700 kg

Buoyancy BASIC Flotation

Alteration of the boat's hull or permanent fittings may invalidate the particulars on this plate.

A REDUCTION IN MAXIMUM NUMBER OF PERSONS MUST BE MADE IN ADVERSE WEATHER CONDITIONS OR WHEN ON THE OPEN SEA.

- Design in compliance with AS1799-1 2009
- Structure in accordance with ISO 12215
- Bottom, sides, chine, transom - 4mm 5083 aluminium, cabin 3mm.
- Builders plate, Jig, Drawings & Photo CD included with kit.
- Bollards, Scuppers, Inspection port & Drain plug included in the kit.
- 5 days per week helpdesk available
- Customization available.
- Flotation foam & most fit out parts available, check catalogue for pricing.
- HIN number engraved in kit & and registered.

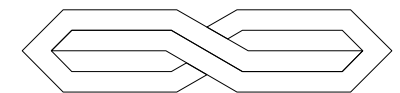


PLATE ALLOY

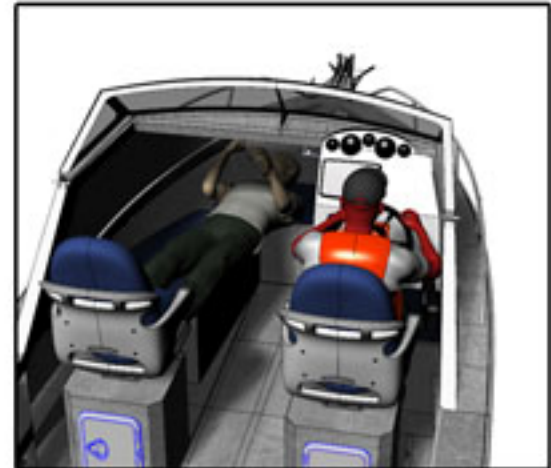
Note: Layout can be customised by owner.

5.5 RUNABOUT



PLATE ALLOY

www.platealloy.com



Optional foldable screen.





5.5 RUNABOUT



PLATE ALLOY
www.platealloy.com

