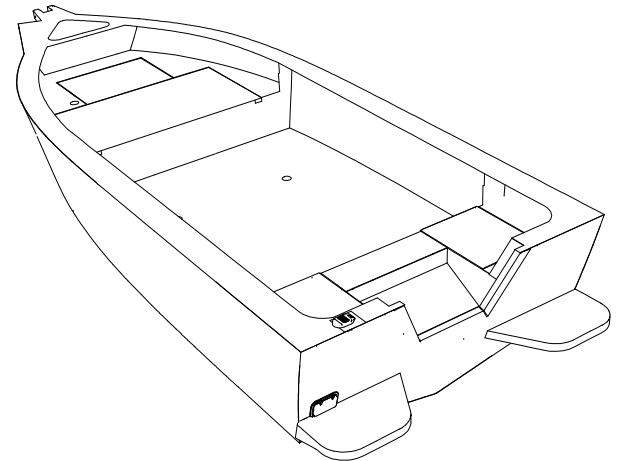
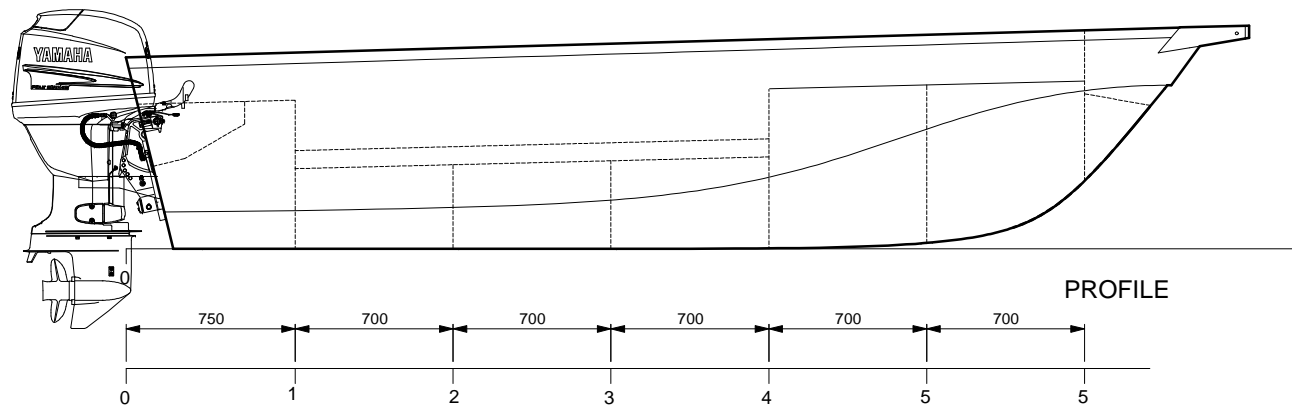
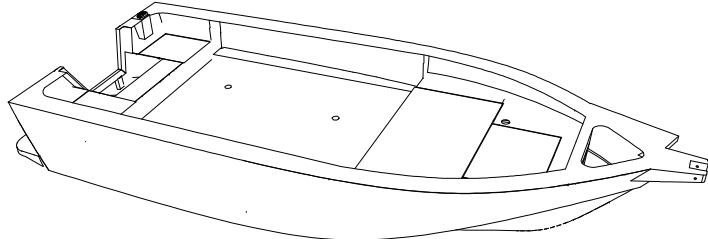
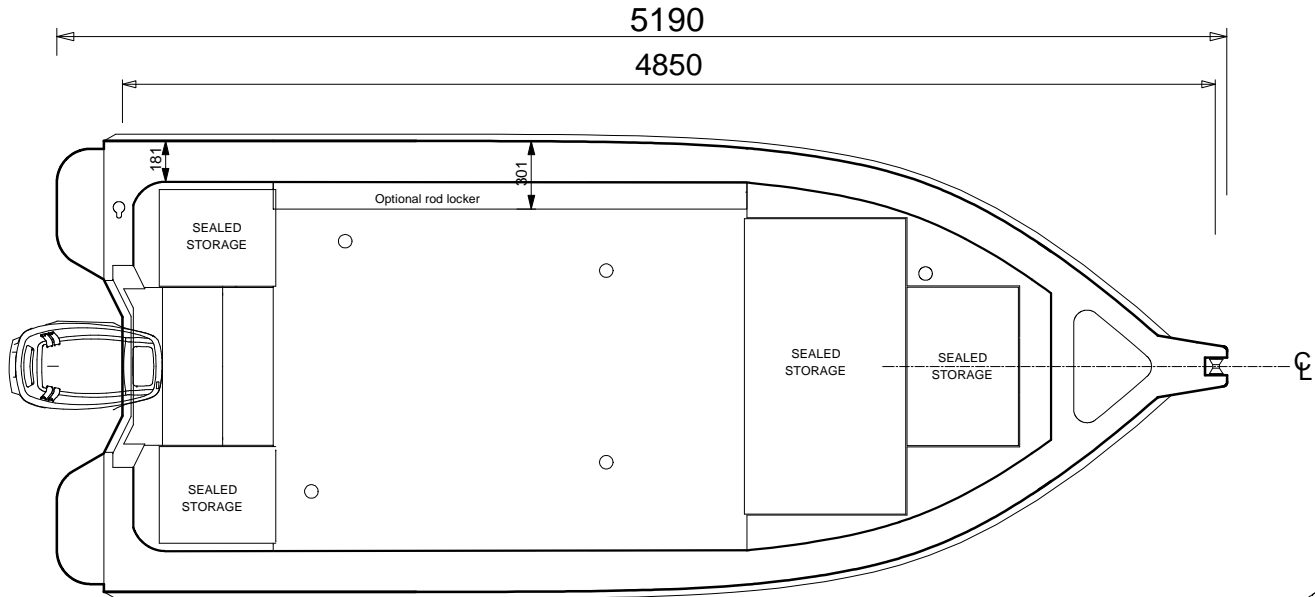


4.85m ADVENTURER

GENERAL ARRANGEMENT

PRINCIPAL PARTICULARS

LOA:	5.19 m
LENGTH:	4.85 m
BEAM:	2.0 m
DEPTH:	1.0 m
DRAFT:	0.3m (HULL)
D/RISE:	12° @ TRAN.
WEIGHT:	630kg DRY -w- 40HP
ENG:	20" (LONG)
H.P.:	60Hp (Tiller) , 100Hp (Remote)



ACTUAL KIT MIGHT DIFFER FROM PICTURES SHOWN

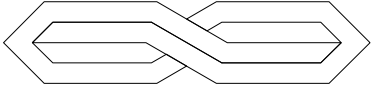


PLATE ALLOY

www.platealloy.com

Note: Layout can be customised by owner
Owner Advised to provide sun protection

AUSTRALIAN BUILDERS PLATE

BUILDER "YOUR NAME"

HIN AU- "SEE REGISTRATION"

Max 7 = 100 hp

= 105 kg

Max 5 = 400 kg

Max 650 kg

Buoyancy BASIC Flotation

Alteration of the boat's hull or permanent fittings may invalidate the particulars on this plate.

A REDUCTION IN MAXIMUM NUMBER OF PERSONS MUST BE MADE IN ADVERSE WEATHER CONDITIONS OR WHEN ON THE OPEN SEA.

- Design in compliance with AS1799-1 2009
- Structure in accordance with ISO 12215
- material:
 - All plating 4mm 5083 aluminium.
 - All extrusions 6061 aluminium
- Builders plate, Jig, Drawings & Photo CD included with kit.
- Bollards, Scuppers, Inspection port & Drain plug included in the kit.
- 5 days per week helpdesk available
- Customization available.
- Flotation foam & most fit out parts available, check catalogue for pricing.
- HIN number engraved in kit & registered.

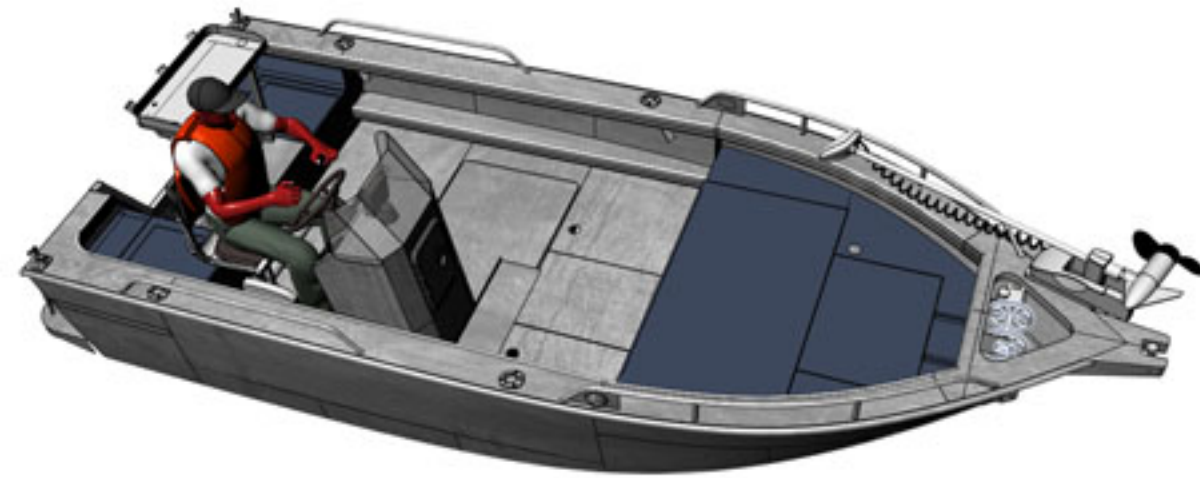
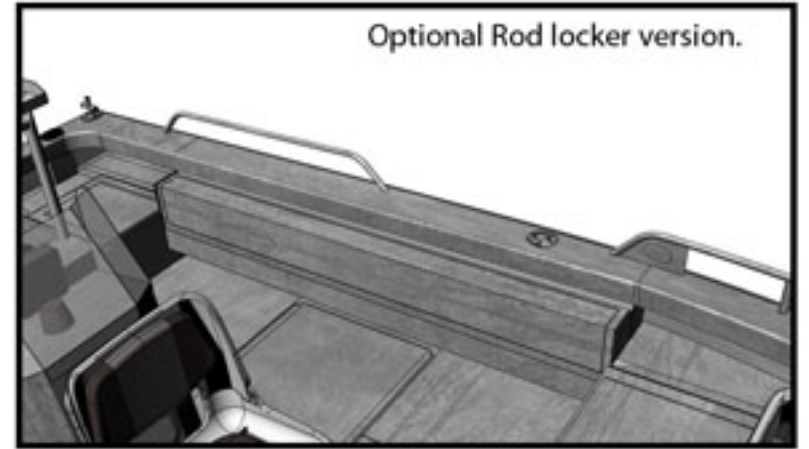
4.85 ADVENTURER



PLATE ALLOY

www.platealloy.com

Optional Rod locker version.





4.85 ADVENTURER



PLATE ALLOY

www.platealloy.com

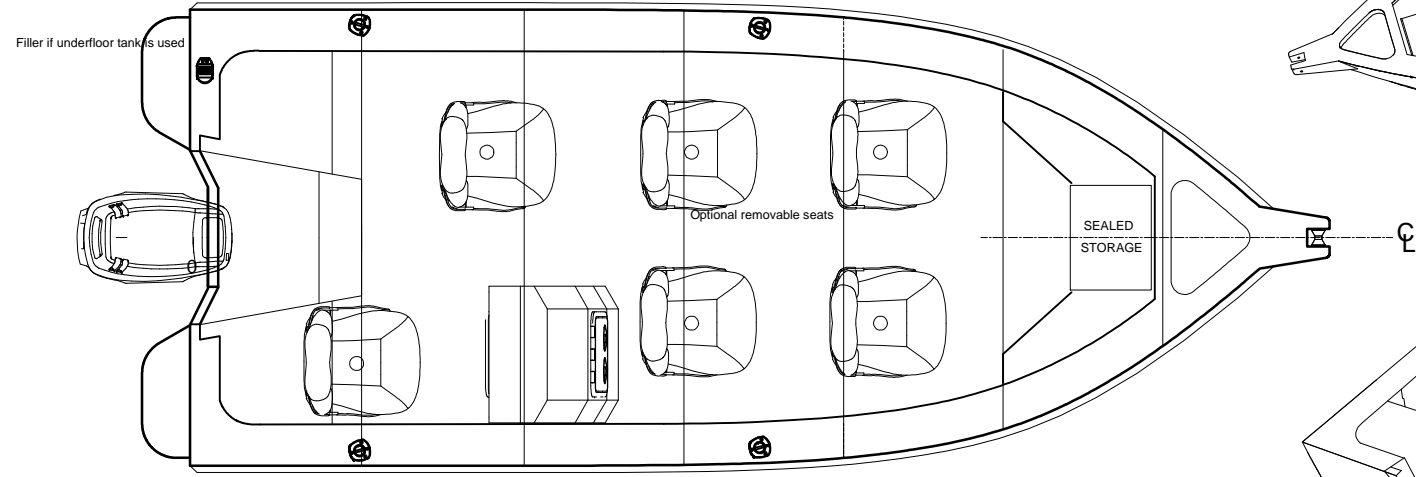
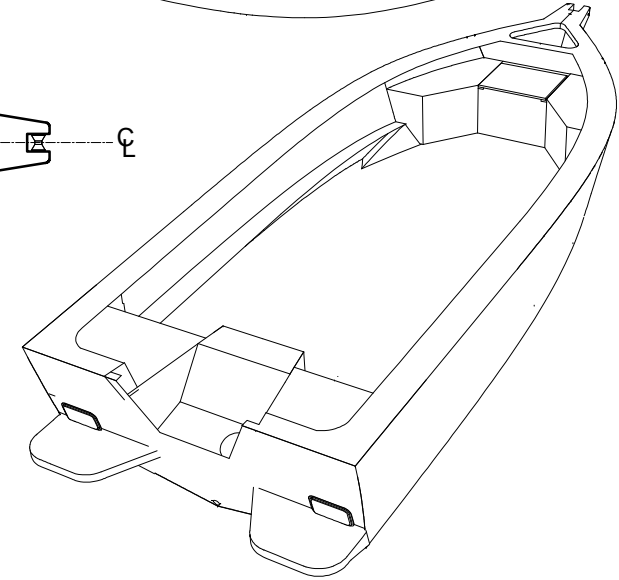
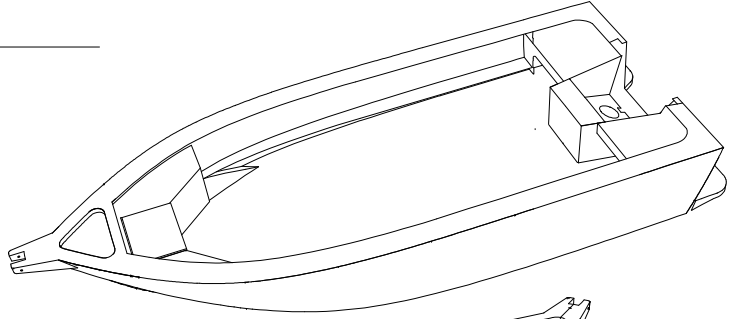
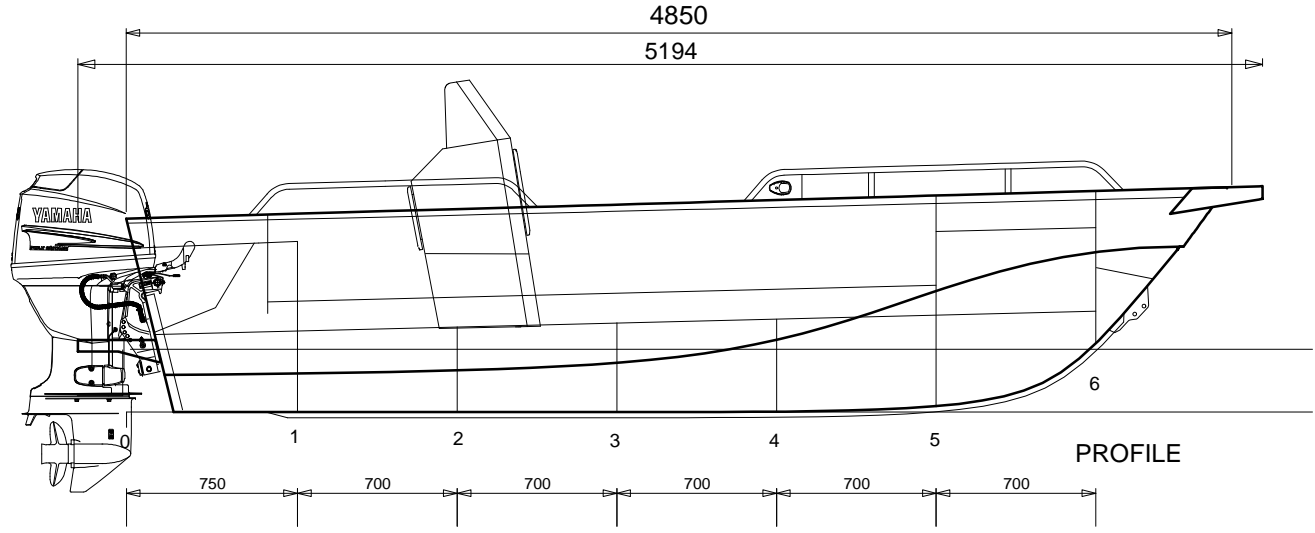


4.85m ADVENTURER-Netter

GENERAL ARRANGEMENT

PRINCIPAL PARTICULARS

LOA:	4.90 m
LENGTH:	4.85 m
BEAM:	2.0 m
DEPTH:	1.0 m
DRAFT:	0.3m (HULL)
D/RISE:	12° @ TRAN.
WEIGHT:	630kg DRY -w- 40HP
ENG:	20" (LONG)
H.P.:	60Hp (Tiller) , 100Hp (Remote)



Note: Layout can be customised by owner
Owner Advised to provide sun protection

AUSTRALIAN BUILDERS PLATE

BUILDER "YOUR NAME"

HIN AU- "SEE REGISTRATION"

Max \uparrow = 60 hp

 = 105 kg

Max \uparrow 5 = 400 kg

Max $\uparrow + \uparrow + \uparrow + \uparrow$ = 650 kg

Buoyancy BASIC Flotation

Alteration of the boat's hull or permanent fittings may invalidate the particulars on this plate.

A REDUCTION IN MAXIMUM NUMBER OFFSPRINGS MUST BE MADE IN ADVERSE WEATHER CONDITIONS OR WHEN ON THE OPEN SEA.

- Design in compliance with AS1799-1 2009
- Structure in accordance with ISO 12215
- material:
 - All plating 4mm 5083 aluminium.
 - All extrusions 6061 aluminium
- Builders plate, Jig, Drawings & Photo CD included with kit.
- Bollards, Scuppers, Inspection port & Drain plug included in the kit.
- 5 days per week helpdesk available
- Customization available.
- Flotation foam & most fit out parts available, check catalogue for pricing.
- HIN number engraved in kit & registered.

ACTUAL KIT MIGHT DIFFER FROM PICTURES SHOWN

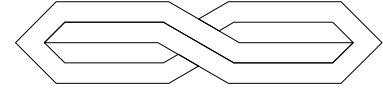


PLATE ALLOY

www.platealloy.com

4.85 ADVENTURER

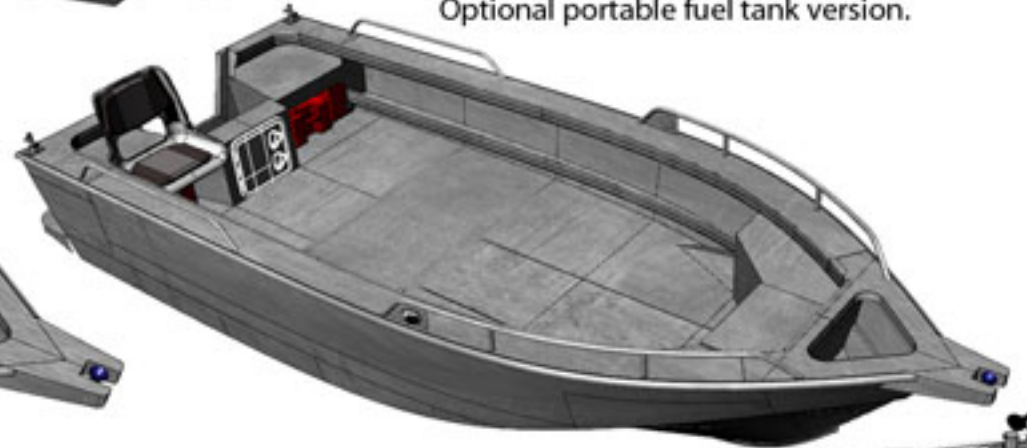


PLATE ALLOY

www.platealloy.com



Optional portable fuel tank version.

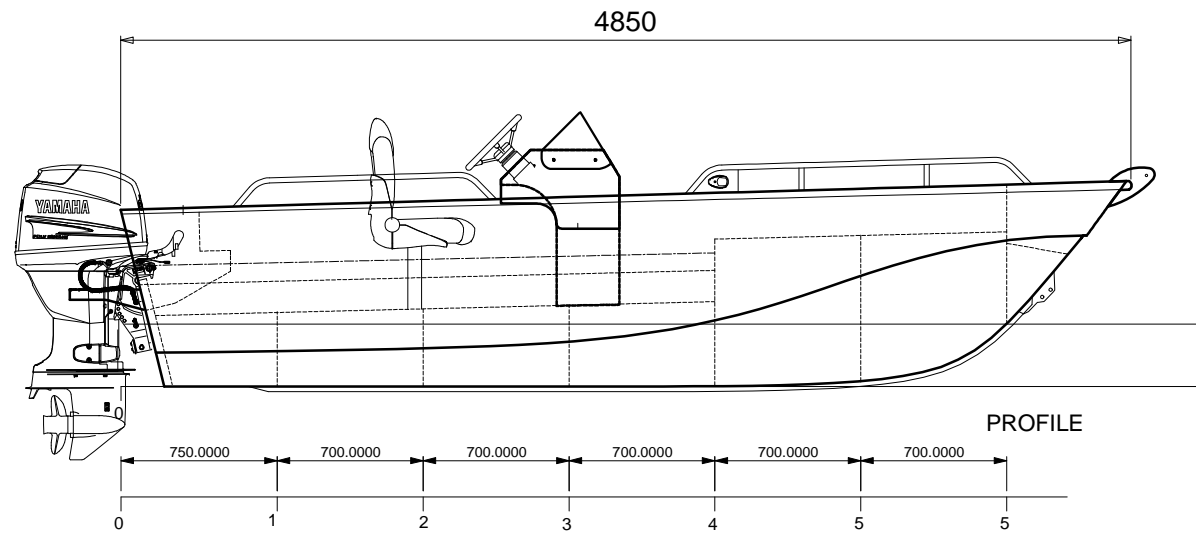


4.85m ADVENTURER

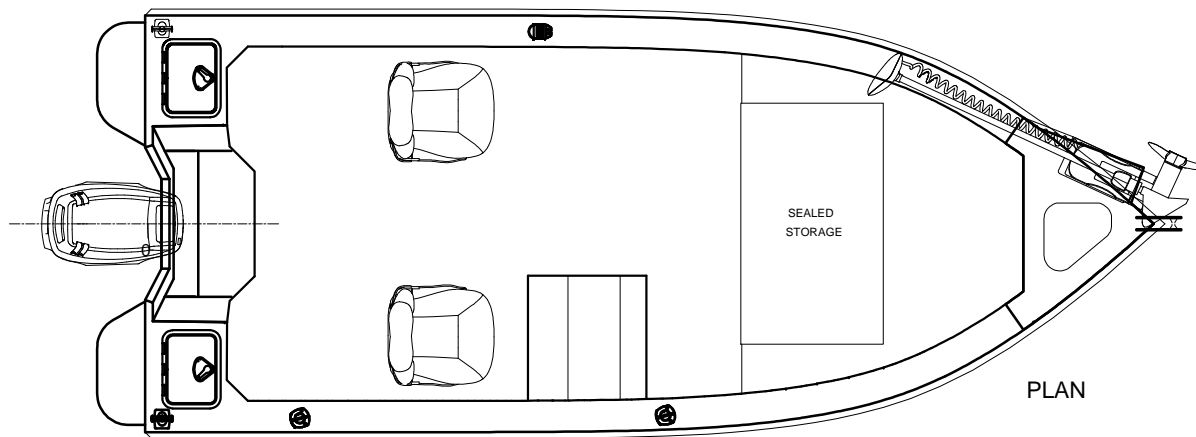
GENERAL ARRANGEMENT

PRINCIPAL PARTICULARS

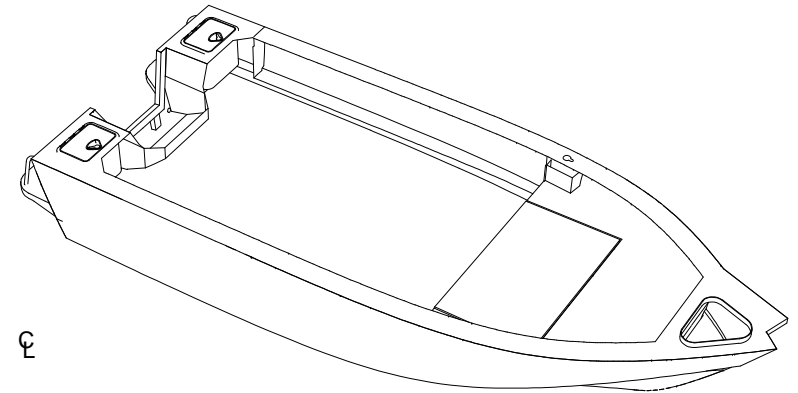
LOA:	4.90 m
LENGTH:	4.85 m
BEAM:	2.0 m
DEPTH:	1.0 m
DRAFT:	0.3m (HULL)
D/RISE:	12° @ TRAN.
WEIGHT:	630kg DRY -w- 40HP
ENG:	20" (LONG)
H.P.:	60Hp (Tiller) , 100Hp (Remote)



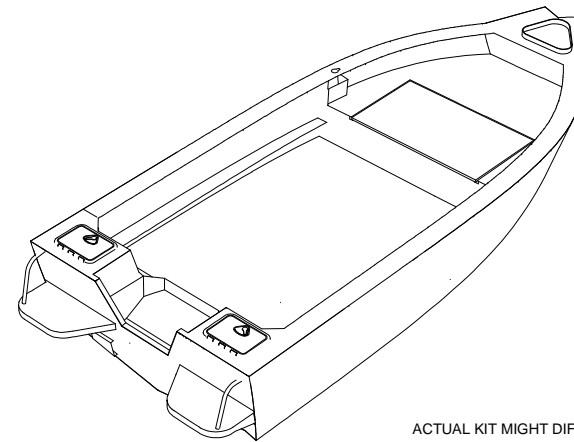
PROFILE



PLAN



TC



ACTUAL KIT MIGHT DIFFER FROM PICTURES SHOWN

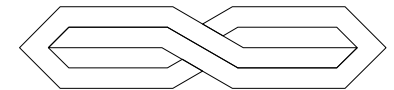


PLATE ALLOY

www.platealloy.com

Note: Layout can be customised by owner
Owner Advised to provide sun protection

AUSTRALIAN BUILDERS PLATE

BUILDER "YOUR NAME"

HIN AU- "SEE REGISTRATION"

Max 7 = 100 hp
= 210 kg

Max 4 = 360 kg

Max 7 + 7 + 7 + 7 = 620 kg

Buoyancy BASIC Flotation

⚠ Alteration of the boat's hull or permanent fittings may invalidate the particulars on this plate.

A REDUCTION IN MAXIMUM NUMBER OF PERSONS MUST BE MADE IN ADVERSE WEATHER CONDITIONS OR WHEN ON THE OPEN SEA.

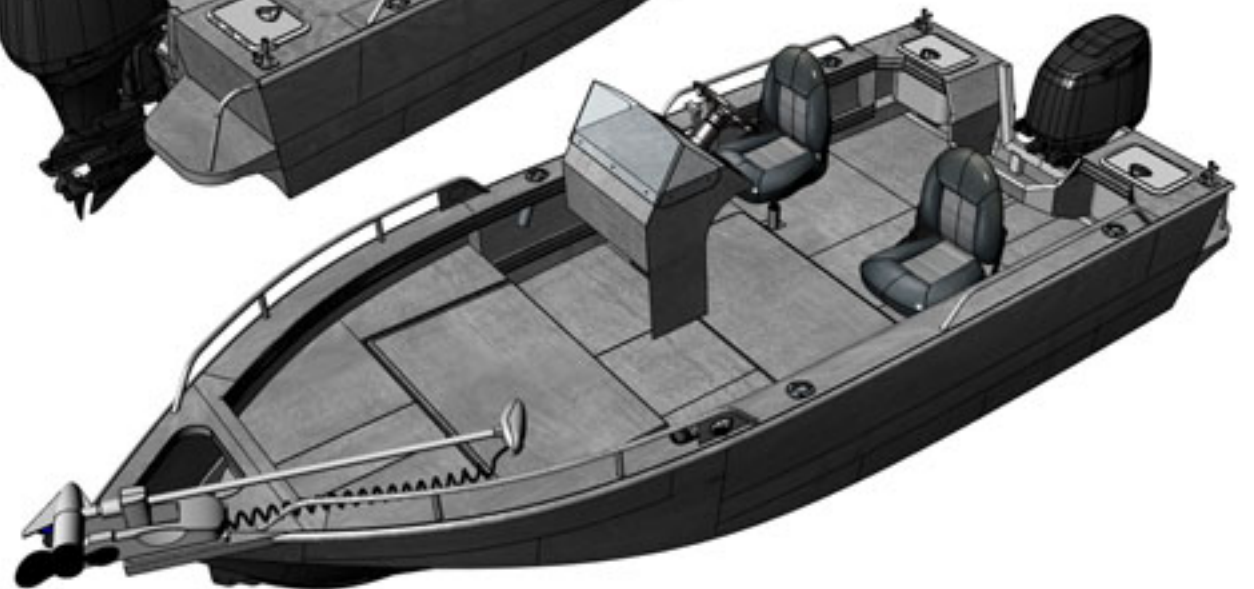
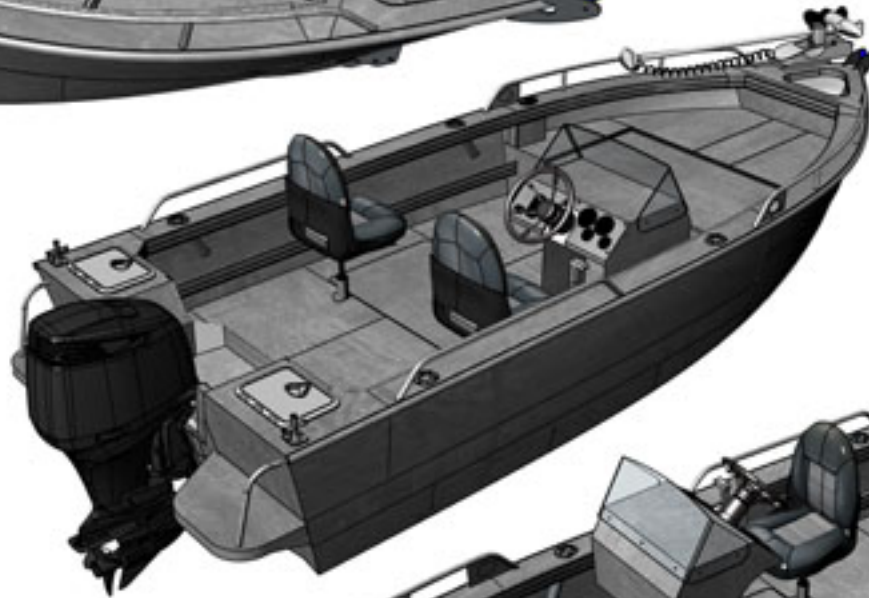
- Design in compliance with AS1799-1 2009
- Structure in accordance with ISO 12215
- material:
 - All plating 4mm 5083 aluminium.
 - All extrusions 6061 aluminium
- Builders plate, Jig, Drawings & Photo CD included with kit.
- Bollards, Scuppers, Inspection port & Drain plug included in the kit.
- 5 days per week helpdesk available
- Customization available.
- Flotation foam & most fit out parts available, check catalogue for pricing.
- HIN number engraved in kit & registered.

4.85 ADVENTURER



PLATE ALLOY

www.platealloy.com





4.85 ADVENTURER



PLATE ALLOY

www.platealloy.com

